

PART NUMBER

**KSW177105**

REV.

DATE

COMMENTS

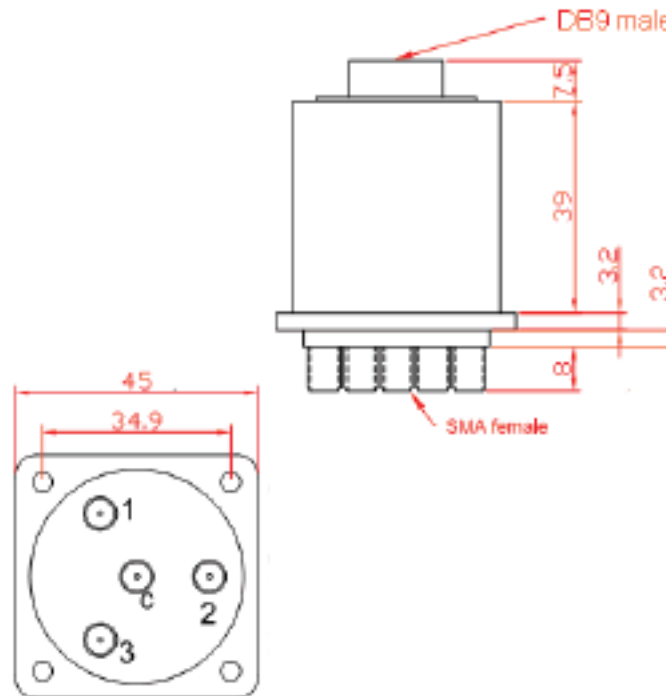
INITIAL

**Electrical Data**

Impedance	50 $\Omega$
Operating Voltage:	DC12V/270mA
	(Option DC5V, DC15V, DC24V/160mA, DC28V/150mA)
Switching Time	<15ms
Frequency Range	DC - 3 GHz.
Insertion Loss	<0.2dB
Isolation	>80dB
Power Handling	100W
VSWR	$\leq 1.20$
Control Voltage	DC12V

**Mechanical Data**

Life	>1000000cycles
Switching Sequence:	Break Before Make
Operating Temperature:	-30 $^{\circ}$ C - 65 $^{\circ}$ C

**RoHS Compliant**

Drawing not to scale. Dimensions for reference only

Units: mm

**Konnect RF**

WWW.KONNECTRF.COM  
1-800-790-5887

PART NUMBER

**KSW177105**

DESCRIPTION

**Switch, SP3T, Normally Open Type, DC-3 GHz, SMA Female**

CAGE CODE

**664U0**

SIGNATURE

X

THIS DRAWING INCLUDING THE  
DESIGNS IS THE PROPERTY OF  
KONNECT RF AND IS NOT TO  
BE USED FOR ANY PURPOSE  
WITHOUT OUR APPROVAL.