

PART NUMBER

KPD178021

REV.

DATE

COMMENTS

INITIAL

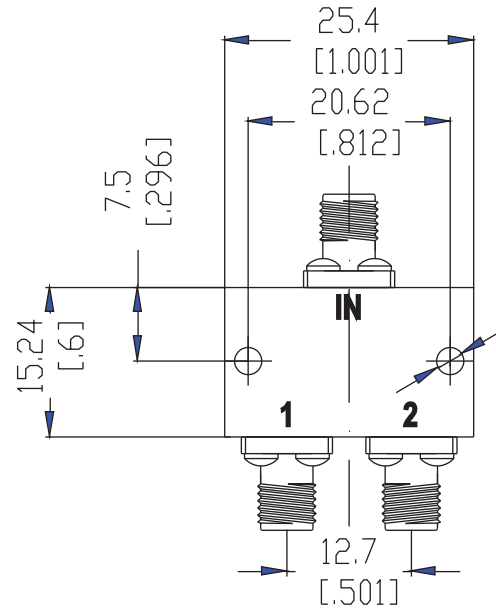
Electrical Data

Impedance	50 Ω
Frequency Range	15-40 GHz.
Amplitude Unbalance	0.4 dB max
Phase Unbalance	$\pm 4^\circ$
Insertion Loss	1.2 dB max
Isolation	16 dB min
Power	
Power	20 W CW
Reverse	1 W CW
VSWR	1.6:1 max

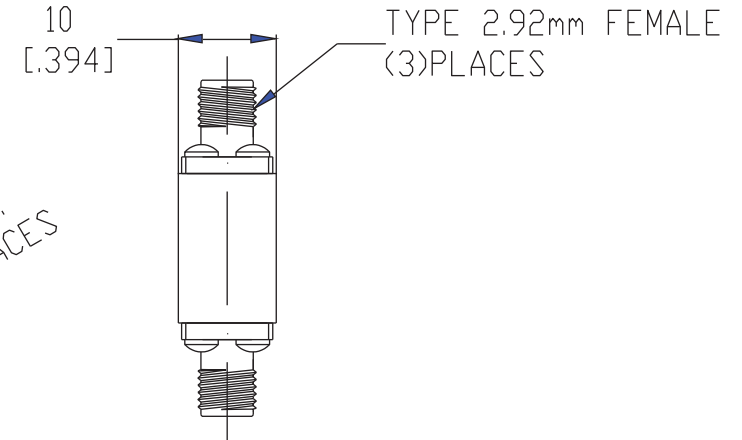
Mechanical Data

Temperature Range: -55 °C - 85 °C

RoHS Compliant



$\phi 2.8$
[$\phi .11$]
THRU.
(2) PLACES



Drawing not to scale. Dimensions for reference only

Units: mm (inches)

Konnect RF

WWW.KONNECTRF.COM
1-800-790-5887

PART NUMBER

KPD178021

DESCRIPTION

Waveguide, Coaxial Adapter, 2.92 Female

CAGE CODE

664U0

SIGNATURE

X

Component
Body

Material
Aluminum Alloy

Plating/Finish
Black Paint

THIS DRAWING INCLUDING THE
DESIGNS IS THE PROPERTY OF
KONNECT RF AND IS NOT TO
BE USED FOR ANY PURPOSE
WITHOUT OUR APPROVAL.