

PART NUMBER

KPD177987

REV.

DATE

COMMENTS

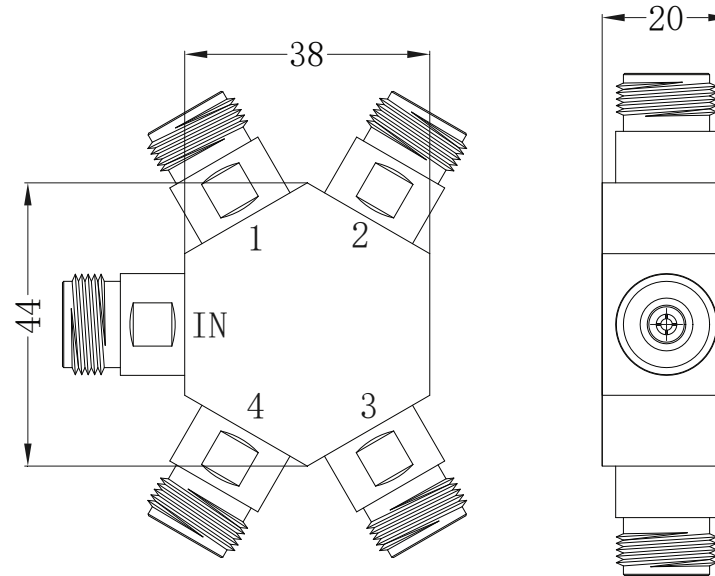
INITIAL

Electrical Data

Impedance	50 Ω
Frequency Range	DC-6 GHz
Insertion Loss	$\leq 12\text{dB} \pm 1.5\text{dB}$
Amplitude Balance	$\leq \pm 2.0\text{dB}$
Phase Balance	N/A
V.S.W.R	$\leq 1.35:1$
Power Rating	1 Watt
Port	4 Way

Mechanical Data

Temperature Range: -45 °C - 85 °C

RoHS Compliant

Drawing not to scale. Dimensions for reference only

Units: mm

Konnect RF

WWW.KONNECTRF.COM
1-800-790-5887

PART NUMBER

KPD177987

DESCRIPTION

Power Divider, 4 Way, N Female Jack

CAGE CODE

664U0

SIGNATURE

X

THIS DRAWING INCLUDING THE
DESIGNS IS THE PROPERTY OF
KONNECT RF AND IS NOT TO
BE USED FOR ANY PURPOSE
WITHOUT OUR APPROVAL.

Component

Housing
Connector
Female Contact

Material

Aluminum
Brass
Beryllium brass
Beryllium brass

Plating

White bronze
Gold
Silver