

PART NUMBER

KPD177970

REV.

DATE

COMMENTS

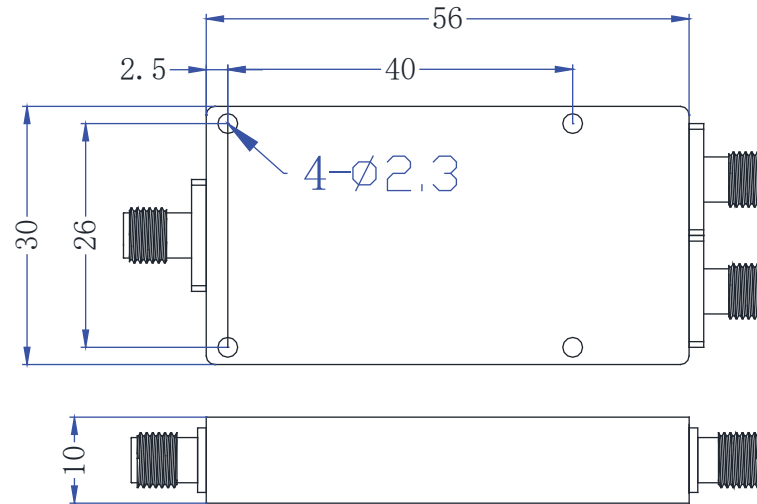
INITIAL

Electrical Data

Impedance	50 Ω
Frequency Range	350-6000MHz
Insertion Loss	≤ 1.50 dB
Split Loss	3dB
VSWR	≤ 1.60 @350-500MHz(Output) ≤ 1.50 @500-6000MHz(Output) ≤ 1.30 (Input)
Amplitude Balance	$\leq \pm 0.3$ dB
Phase Balance	$\leq \pm 3$ degree
Isolation	≥ 13 dB@350-500MHz ≥ 18 dB@500-6000MHz
Average Power	1W

Mechanical Data

Operational Temperature	-40 to +80 $^{\circ}$ C
Storage Temperature	-45 to +85 $^{\circ}$ C

RoHS Compliant

Drawing not to scale. Dimensions for reference only

Units: mm

Konnect RF

WWW.KONNECTRF.COM
1-800-790-5887

PART NUMBER

KPD177970

DESCRIPTION

Power Divider, 2 Way , SMA Female

CAGE CODE

664U0

SIGNATURE

X

Component
Body

Material
Aluminium

Plating
Gray paint

THIS DRAWING INCLUDING THE
DESIGNS IS THE PROPERTY OF
KONNECT RF AND IS NOT TO
BE USED FOR ANY PURPOSE
WITHOUT OUR APPROVAL.