

PART NUMBER

**KPD177903**

REV.

DATE

COMMENTS

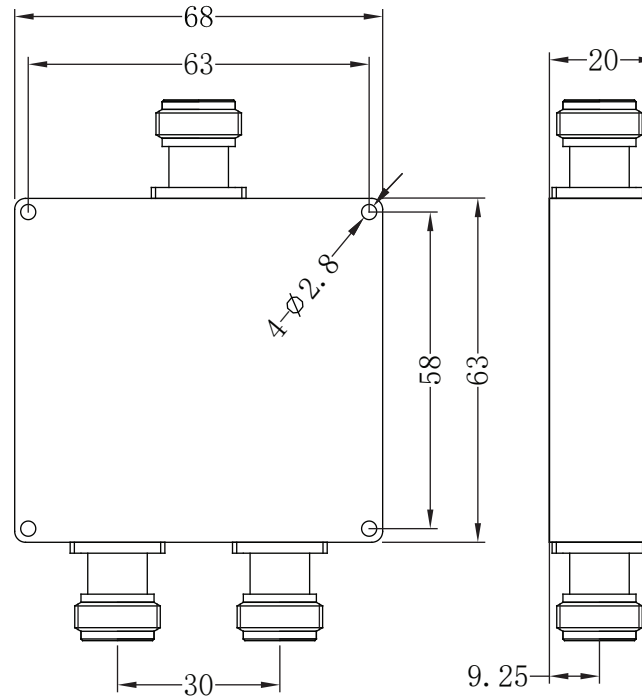
INITIAL

**Electrical Data**

Impedance	50 $\Omega$
Frequency Range	400-500 MHz
Insertion loss	$\leq 0.4$ dB
VSWR	$\leq 1.30$
Amplitude Balance	$\leq \pm 0.20$ dB
Phase Balance	$\leq \pm 3$ degree
Isolation $\geq 20$ dB	
Average Power	30W ( Forward )

**Mechanical Data**

Operational Temperature	-40 to +80 $^{\circ}$ C
Storage Temperature	-45 to +85 $^{\circ}$ C

**RoHS Compliant**

Drawing not to scale. Dimensions for reference only

Units: mm Tolerance ( $\pm 0.3$ mm)**Konnect RF**

WWW.KONNECTRF.COM  
1-800-790-5887

PART NUMBER

**KPD177903**

DESCRIPTION

**Power Divider, 2 Way , N Female**

CAGE CODE

**664U0**

SIGNATURE

X

THIS DRAWING INCLUDING THE  
DESIGNS IS THE PROPERTY OF  
KONNECT RF AND IS NOT TO  
BE USED FOR ANY PURPOSE  
WITHOUT OUR APPROVAL.