

PART NUMBER

KPD177849

REV.

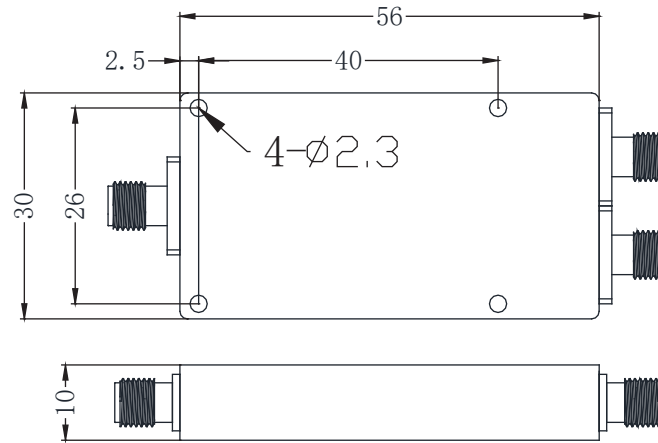
DATE

COMMENTS

INITIAL

Electrical Data

Impedance	50 Ω
Frequency Range	350-6,000MHz
Insertion Loss	≤ 1.50 dB
Split Loss	3dB
VSWR	≤ 1.60 @350-500MHz(Input) ≤ 1.50 @500-6,000MHz(Input) ≤ 1.30 (Output)
Amplitude Balance	$\leq \pm 0.3$ dB
Phase Balance	$\leq \pm 3$ degree
Isolation	≥ 13 dB@350-500MHz ≥ 18 dB@500-6,000MHz
Average Power	20W (Forward) 2W (Reverse)

RoHS Compliant**Mechanical Data**

Operational Temperature:	-40 $^{\circ}$ C - 80 $^{\circ}$ C
Storage Temperature	-45 $^{\circ}$ C - 85 $^{\circ}$ C

Drawing not to scale. Dimensions for reference only

Units:mm Tolerance ± 0.3 mm**Konnect RF**

WWW.KONNECTRF.COM
1-800-790-5887

PART NUMBER

KPD177849

DESCRIPTION

Power Divider, 2 Way , SMA Female

CAGE CODE

664U0

SIGNATURE

X

Component
Body

Plating
Grey Paint

THIS DRAWING INCLUDING THE
DESIGNS IS THE PROPERTY OF
KONNECT RF AND IS NOT TO
BE USED FOR ANY PURPOSE
WITHOUT OUR APPROVAL.