

PART NUMBER

KPD177789

REV.

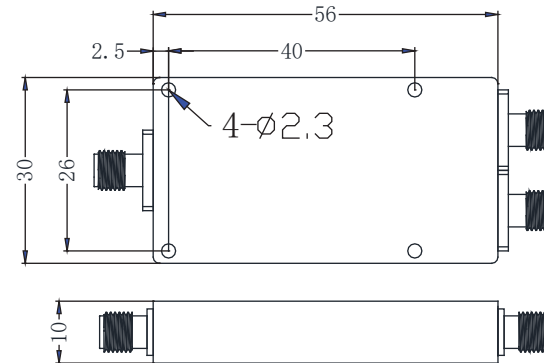
DATE

COMMENTS

INITIAL

Electrical Data

Impedance	50 Ω
Frequency Range	500-8,000MHz
Insertion loss	≤ 1.50 dB
VSWR	≤ 1.50 (Input) ≤ 1.30 (Output)
Amplitude Balance	$\leq \pm 0.3$ dB
Phase Balance	$\leq \pm 3$ degree
Isolation	≥ 20 dB
Average Power	20W (Forward) 2W (Reverse)

RoHS Compliant**Mechanical Data**

Operational Temperature	-40 to +80 °C
Storage Temperature	-45 to +85 °C

Drawing not to scale. Dimensions for reference only

Units: mm Tolerance (± 0.3 mm)**Konnect RF**

WWW.KONNECTRF.COM
1-800-790-5887

PART NUMBER

KPD177789

DESCRIPTION

Power Divider, 2 Way , SMA Female

CAGE CODE

664U0

SIGNATURE

X

Component
Body

Plating/Finish
Grey Paint

THIS DRAWING INCLUDING THE
DESIGNS IS THE PROPERTY OF
KONNECT RF AND IS NOT TO
BE USED FOR ANY PURPOSE
WITHOUT OUR APPROVAL.