

PART NUMBER

KPD177658

REV.

DATE

COMMENTS

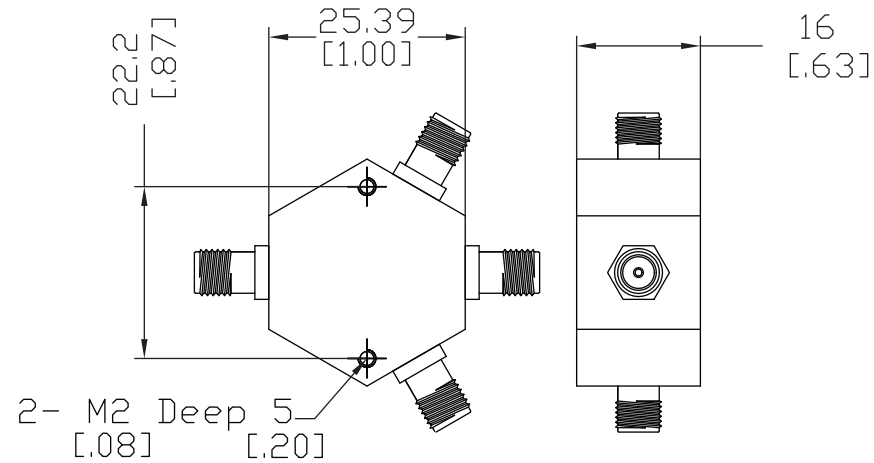
INITIAL

Electrical Data

Impedance 50 Ω
 Frequency Range DC - 4 GHz.
 Insertion Loss $\leq 9.5 \pm 0.8$ dB
 Power Handling CW: 0.5 Watt
 VSWR ≤ 1.5

RoHS Compliant**Mechanical Data**

Temperature Range: -40 °C - 70 °C



Drawing not to scale. Dimensions for reference only

Units: mm

Tolerance: ± 0.3 **Konnect RF**

WWW.KONNECTRF.COM
 1-800-790-5887

PART NUMBER

KPD177658

DESCRIPTION

Power Divider, Resistive, 3 Way, SMA Female

CAGE CODE

664U0

SIGNATURE

X

Component
Body

Plating
Silvery White Surface Color

THIS DRAWING INCLUDING THE
 DESIGNS IS THE PROPERTY OF
 KONNECT RF AND IS NOT TO
 BE USED FOR ANY PURPOSE
 WITHOUT OUR APPROVAL.