

PART NUMBER

KPD177654

REV.

DATE

COMMENTS

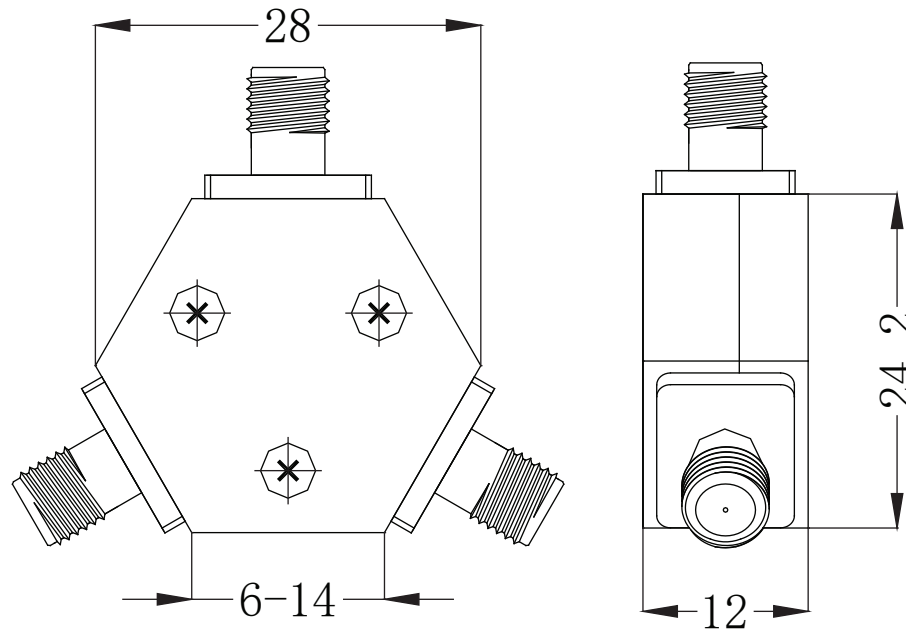
INITIAL

Electrical Data

Impedance	50 Ω
Frequency Range	DC - 10 GHz.
Insertion Loss	$\leq 6 \pm 1.5$ dB
Amplitude Balance	$\leq \pm 0.8$ dB
Average Power	0.5W
VSWR	≤ 1.50

RoHS Compliant**Mechanical Data**

Operational Temperature	-40 to +85°C
Storage Temperature	-45 to +90 °C



Drawing not to scale. Dimensions for reference only

Units: mm (± 0.3)**Konnect RF**

WWW.KONNECTRF.COM
1-800-790-5887

PART NUMBER

KPD177654

DESCRIPTION

Power Divider, 2 Way , SMA Female

CAGE CODE

664U0

SIGNATURE

X

THIS DRAWING INCLUDING THE
DESIGNS IS THE PROPERTY OF
KONNECT RF AND IS NOT TO
BE USED FOR ANY PURPOSE
WITHOUT OUR APPROVAL.