

PART NUMBER

**KPD177604**

REV.

DATE

COMMENTS

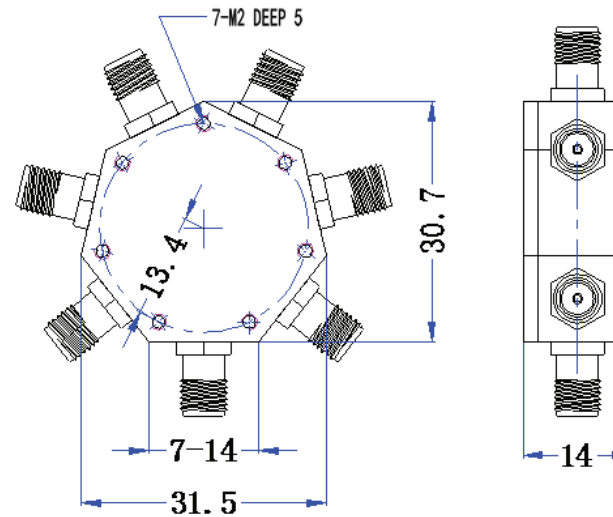
INITIAL

**Electrical Data**

Impedance	50 $\Omega$
Frequency Range	DC - 6 GHz.
Insertion Loss	$\leq 16 \pm 3.0$ dB
Power Handling	1 Watt
Dimension Tolerance	$\pm 0.5$ mm
VSWR	$\leq 1.6:1$

**Mechanical Data**

Temperature Range:	-35 $^{\circ}$ C - 75 $^{\circ}$ C
--------------------	------------------------------------

**RoHS Compliant**

Drawing not to scale. Dimensions for reference only

Units: mm

**Konnect RF**

WWW.KONNECTRF.COM  
1-800-790-5887

PART NUMBER

**KPD177604**

DESCRIPTION

**Resistive Power Divider, 6 Way, SMA Female Jack**

CAGE CODE

**664U0**

SIGNATURE

X

THIS DRAWING INCLUDING THE  
DESIGNS IS THE PROPERTY OF  
KONNECT RF AND IS NOT TO  
BE USED FOR ANY PURPOSE  
WITHOUT OUR APPROVAL.