

PART NUMBER

**KPD177535**

REV.

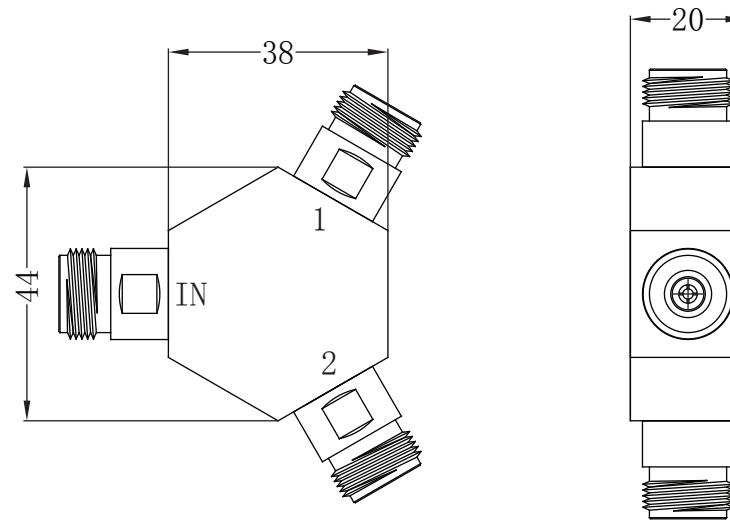
DATE

COMMENTS

INITIAL

**Electrical Data**

Impedance	50 $\Omega$
Frequency Range	DC - 6 GHz.
Power Handling	1 Watt
VSWR	<1.4

**RoHS Compliant**

Drawing not to scale. Dimensions for reference only

Units: mm

WWW.KONNECTRF.COM  
1-800-790-5887

PART NUMBER

**KPD177535**

DESCRIPTION

**Resistive Power Divider, 2 Way, N Female Jack**

CAGE CODE

**664U0**

SIGNATURE

X

THIS DRAWING INCLUDING THE  
DESIGNS IS THE PROPERTY OF  
KONNECT RF AND IS NOT TO  
BE USED FOR ANY PURPOSE  
WITHOUT OUR APPROVAL.