

PART NUMBER

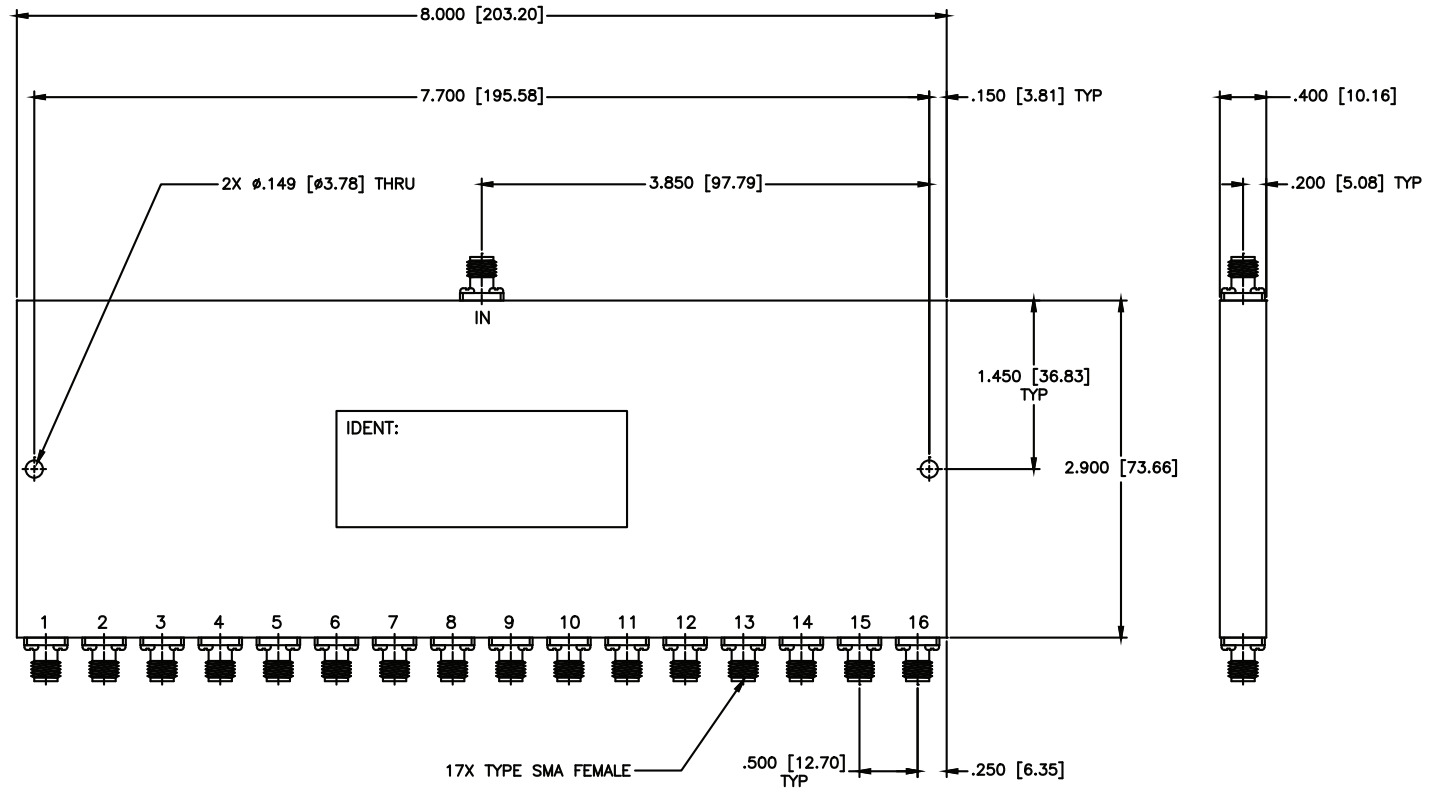
KPD177396

REV.

INITIAL

Electrical Data

Frequency Range 18 - 26.5 GHz
 Insertion Loss 4.3 dB Max.
 Isolation 14 dB Min.
 Power Rating 2 Watts
 Amplitude Balance ± 1.1 dB
 Phase Balance $\pm 9^\circ$
 VSWR In: 1.70:1
 Out: 1.70:1

**Konnnect RF**

540 NW University Blvd. Ste. 109
 Port Saint Lucie, Florida, 34986
 1-800-790-5887

PART NUMBER

KPD177396

DESCRIPTION

SMA Power Divider - 16 way
18.0-26.5 GHz

CAGE CODE

664U0

SIGNATURE

X

THIS DRAWING INCLUDING THE
 DESIGNS IS THE PROPERTY OF
 KONNECT RF AND IS NOT TO
 BE USED FOR ANY PURPOSE
 WITHOUT OUR APPROVAL.