

PART NUMBER

KPD177390

REV.

DATE

COMMENTS

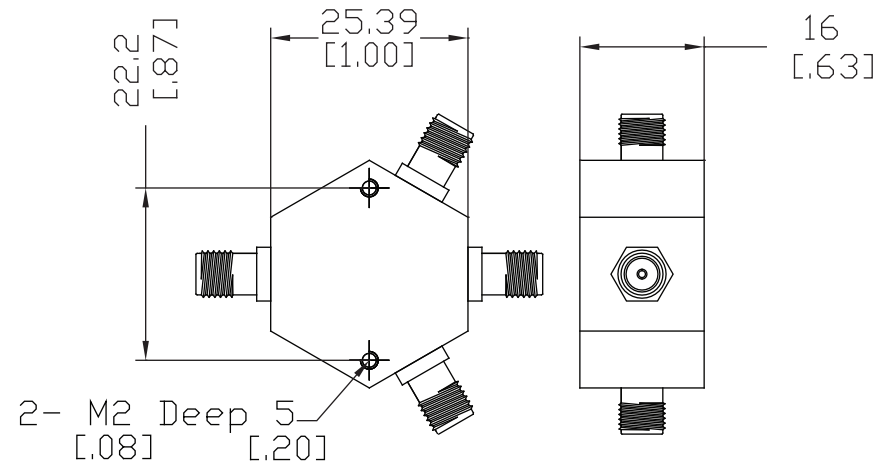
INITIAL

Electrical Data

Impedance 50 Ω
 Frequency Range DC - 2 GHz.
 Insertion Loss $\leq 9.5 \pm 1.5$ dB
 Power Handling CW: 1 Watt
 VSWR ≤ 1.5

Mechanical Data

Temperature Range: -40 °C - 70 °C

RoHS Compliant

Drawing not to scale. Dimensions for reference only

Units: mm (inches)

Konnect RF

WWW.KONNECTRF.COM
1-800-790-5887

PART NUMBER

KPD177390

DESCRIPTION

Power Divider, Resistive, SMA Female Jack, 3 Way

CAGE CODE

664U0

SIGNATURE

X

THIS DRAWING INCLUDING THE
DESIGNS IS THE PROPERTY OF
KONNECT RF AND IS NOT TO
BE USED FOR ANY PURPOSE
WITHOUT OUR APPROVAL.