

PART NUMBER

KPD177018

REV.

DATE

COMMENTS

INITIAL

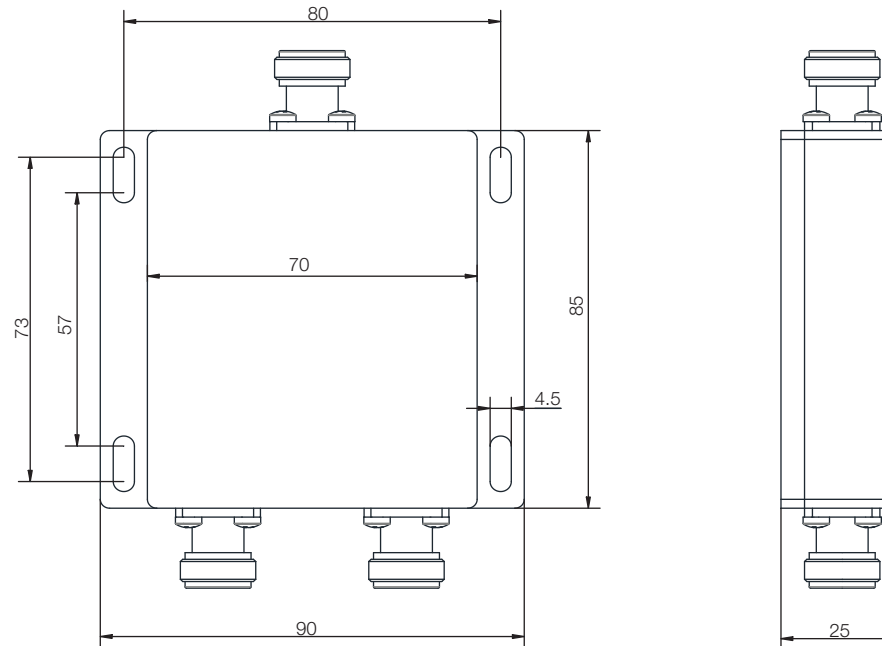
RoHS Compliant

Electrical Data

Impedance 50 Ω
 Frequency Range 0.096 GHz.
 Insertion Loss ≤ 4 dB
 Isolation ≥ 18 dB
 Power Handling 100 W Average
 VSWR ≤ 1.3

Mechanical Data

Temperature Range: -20 °C - 70 °C



Drawing not to scale. Dimensions for reference only

Units: mm

Konnect RF

WWW.KONNECTRF.COM
 1-800-790-5887

PART NUMBER

KPD177018

DESCRIPTION

Power Divider, 2 Way, N Female Jack

CAGE CODE

664U0

SIGNATURE

X

THIS DRAWING INCLUDING THE
 DESIGNS IS THE PROPERTY OF
 KONNECT RF AND IS NOT TO
 BE USED FOR ANY PURPOSE
 WITHOUT OUR APPROVAL.