

PART NUMBER

KLP177999

REV.

DATE

COMMENTS

INITIAL

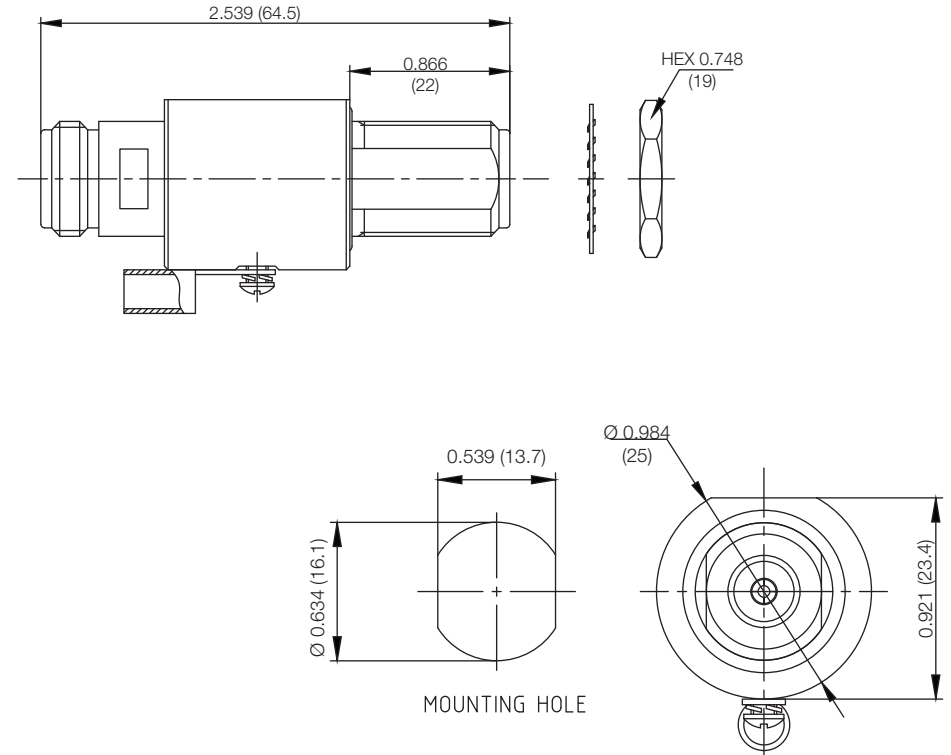
Electrical Data

Impedance	50 Ω
Frequency Range	DC - 3 GHz
Insertion Loss	≤ 0.35 dB
Maximum Surge Current	20kA multiple (8x20 μ s wave-form)
Turn On	70V,230V,350V,600V,900V selectable $\pm 20\%$
Average Power	75W@1.2GHz,52W@1.9GHz,42W@2.4GHz,36W@3GHz.
VSWR	≤ 1.25 Max

Mechanical Data

Temperature Range	-40 $^{\circ}$ C - 85 $^{\circ}$ C
Waterproof Degree	IP67
EN61000-4-5	
MIL-STD-810	
MIL-STD-461	

RoHS Compliant



Drawing not to scale. Dimensions for reference only

Units: inches (mm)

Konnect RF

WWW.KONNECTRF.COM
1-800-790-5887

PART NUMBER

KLP177999

DESCRIPTION

Lightning Protector, Gas Discharge Tube, N Female Jack to N Female Jack Bulkhead, O-Ring Seal

CAGE CODE

664U0

SIGNATURE

X

Component
Body
Center Contact
Insulator
O-Ring

Material
Brass
Bronze
PTFE
Silicone Rubber, Red

Plating
Nickel
Gold

THIS DRAWING INCLUDING THE DESIGNS IS THE PROPERTY OF KONNECT RF AND IS NOT TO BE USED FOR ANY PURPOSE WITHOUT OUR APPROVAL.