

PART NUMBER

**KLP177998**

REV.

DATE

COMMENTS

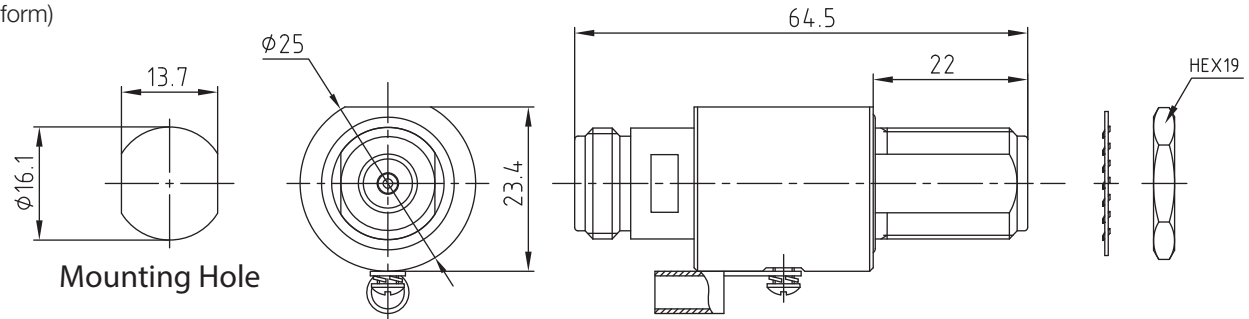
INITIAL

**Electrical Data**

Impedance	50Ω
Frequency Range	DC - 3GHz.
Insertion Loss	≤ 0.20(3.0)GHz
Maximum Surge Current	20kA multiple (8x20μs wave-form)
Turn On	90V
Average Power	50 Watts
VSWR	1.1Max

**RoHS Compliant****Mechanical Data**

Durability	100 Cycles Min.
Temperature Range:	-40 °C - 85 °C
Waterproof Degree	IP67



Drawing not to scale. Dimensions for reference only

Units: mm

**Konnect RF**

WWW.KONNECTRF.COM  
1-800-790-5887

PART NUMBER

**KLP177998**

DESCRIPTION

**Lightning Protector, Gas Discharge Tube,  
N Female Jack to N Female Jack, Bulkhead**

CAGE CODE

**664U0**

SIGNATURE

X

THIS DRAWING INCLUDING THE  
DESIGNS IS THE PROPERTY OF  
KONNECT RF AND IS NOT TO  
BE USED FOR ANY PURPOSE  
WITHOUT OUR APPROVAL.

**Component**

Body  
Center Contact  
Insulator  
O-Ring

**Material**

Brass  
Bronze  
PTFE  
Silicone Rubber

**Plating**

Nickel  
Gold  
Red