

PART NUMBER

**KLP177882**

REV.

DATE

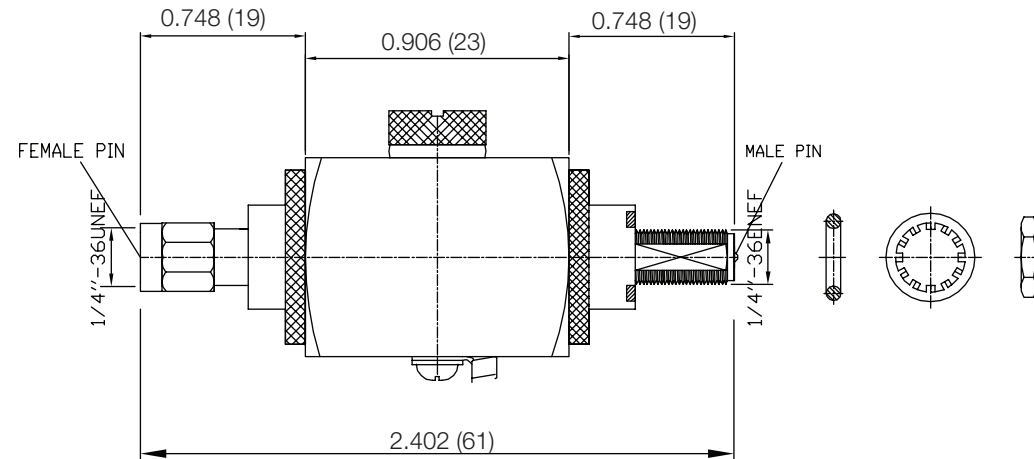
COMMENTS

INITIAL

**Electrical Data**

Impedance	50 $\Omega$
Frequency Range	DC - 6 GHz.
Insertion Loss	$\leq 0.7$ dB
Gas Tube DC Breakdown Voltage	230 V
Impulse Breakdown Voltage	$\leq 700$
Insulation Resistance	$\geq 10000$ M $\Omega$
Surge Discharge Current	10 KA
RF Power Rating	15 W
VSWR	1.6:1 max

RoHS Compliant



Drawing not to scale. Dimensions for reference only

Units: inches (mm)

**Konnect RF**

**WWW.KONNECTRF.COM**  
**1-800-790-5887**

PART NUMBER

**KLP177882**

DESCRIPTION

**Lightning Protector, SMA Male Plug Reverse Polarity to SMA  
 Female Jack Bulkhead Reverse Polarity**

CAGE CODE

**664U0**

SIGNATURE

X

THIS DRAWING INCLUDING THE  
 DESIGNS IS THE PROPERTY OF  
 KONNECT RF AND IS NOT TO  
 BE USED FOR ANY PURPOSE  
 WITHOUT OUR APPROVAL.