

PART NUMBER

KLP177881

REV.

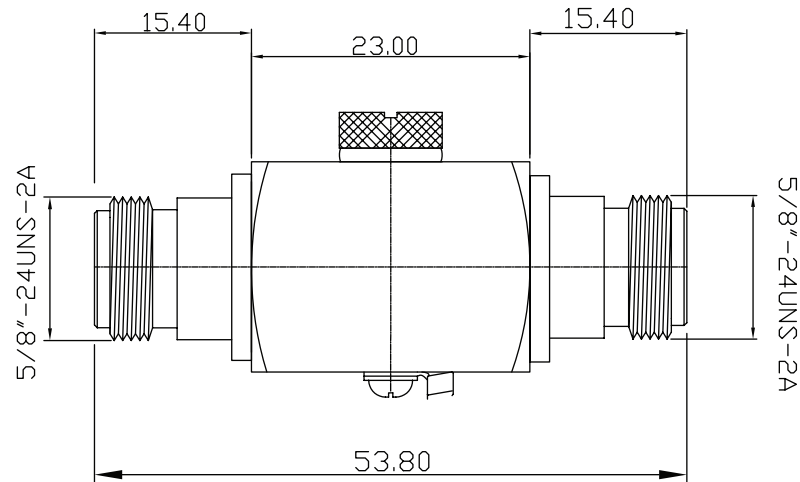
DATE

COMMENTS

INITIAL

Electrical Data

| | |
|-------------------------------|---------------------|
| Impedance | 50 Ω |
| Frequency Range | DC - 6 GHz. |
| Insertion Loss | <0.7 |
| Gas Tube DC Breakdown Voltage | 230V |
| Impulse Breakdown Voltage | <= 700V |
| Insulation Resistance | >=10,000 M Ω |
| Surge Discharge Current | 10kA |
| RF Power Rating | 15W |
| VSWR | 1.6 Max |

RoHS Compliant

Drawing not to scale. Dimensions for reference only

Units: mm

Konnect RF

WWW.KONNECTRF.COM
1-800-790-5887

PART NUMBER

KLP177881

DESCRIPTION

Lightning Protector, N Female Jack to N Female Jack

CAGE CODE

664U0

SIGNATURE

X

THIS DRAWING INCLUDING THE
DESIGNS IS THE PROPERTY OF
KONNECT RF AND IS NOT TO
BE USED FOR ANY PURPOSE
WITHOUT OUR APPROVAL.