

PART NUMBER

KLP177455

REV.

INITIAL

Electrical Data

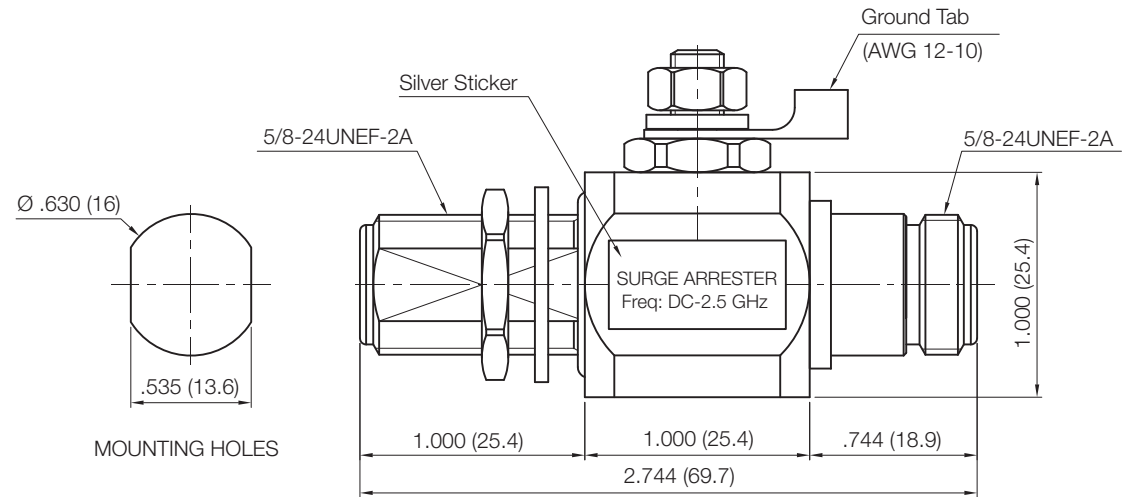
Impedance	50 Ω
Frequency Range	DC-2.5 GHz
Return Loss Typ. 1 GHz-30 dB	2.5 GHz <0.2 dB
Spark-Over Voltage	230V
Surge Life	10X3KV (1.2x50us) 5X20KA (8/20us) 10X20A 1sec @ 60Hz
Insulation Resistance	5G Ω Min.
Contact Resistance Center Contact Outer Contact	2m Ω Max. 0.5m Ω Max.

Mechanical Data

Temperature Range	-30°C ~ 100°C
Mating Cycles	500 Min.
Panel Mounting Torque	10+2N.m

Environmental Data

Salt: MIL-STD-202/5%, 600 hours
Water: IP 67 (IEC 60529)

RoHS Compliant**Drawing not to scale. Dimensions for reference only****Units: inches (mm)****Konnect RF**

WWW.KONNECTRF.COM
1-800-790-5887

PART NUMBER

KLP177455

DESCRIPTION

Lightning Protector, N Female Jack Bulkhead Mount to N Female Jack, 230 Volts Protection

CAGE CODE

664U0

SIGNATURE

X

THIS DRAWING INCLUDING THE DESIGNS IS THE PROPERTY OF KONNECT RF AND IS NOT TO BE USED FOR ANY PURPOSE WITHOUT OUR APPROVAL.

Component

Body, Fixing Bolt
Center Contact
Ground Tab
Mounting Nut, Washer
Gasket
Insulator

Material

Brass
Be.Cu
Copper
Stainless Steel
Silicone Rubber
PTFE

Plating

White Bronze
Silver
Tin