

PART NUMBER

**KLP177442**

REV.

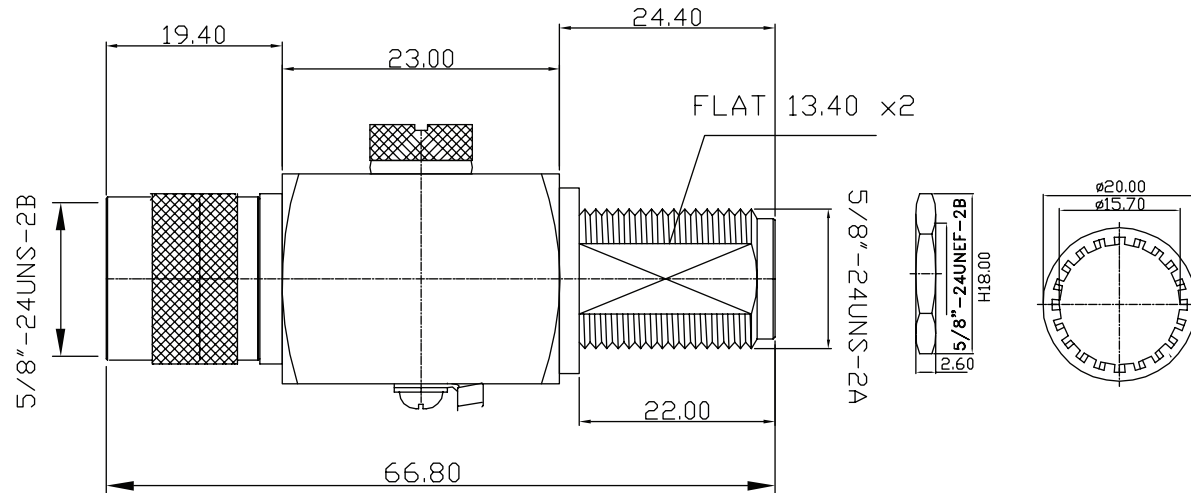
DATE

COMMENTS

INITIAL

**RoHS Compliant****Electrical Data**

Impedance	50 $\Omega$
Frequency Range	DC - 6GHz.
Insertion Loss	<0.7
Gas Tube DC Breakdown Voltage	230V
Impulse Breakdown Voltage	<=700V
Insulation Resistance	>10,000M $\Omega$
VSWR	1.6:1Max
Surge Discharge Current	10KA
RF Power Rating	15W



Drawing not to scale. Dimensions for reference only

Units: mm

**Konnect RF**

WWW.KONNECTRF.COM  
1-800-790-5887

PART NUMBER

**KLP177442**

DESCRIPTION

**Lightning Protector, N Male Plug to  
N Female Bulkhead Jack,(O-Ring)**

CAGE CODE

**664U0**

SIGNATURE

X

**Component**  
O-Ring

**Material**  
Silicone Rubber

THIS DRAWING INCLUDING THE  
DESIGNS IS THE PROPERTY OF  
KONNECT RF AND IS NOT TO  
BE USED FOR ANY PURPOSE  
WITHOUT OUR APPROVAL.