

PART NUMBER

KLP177400

REV.

DATE

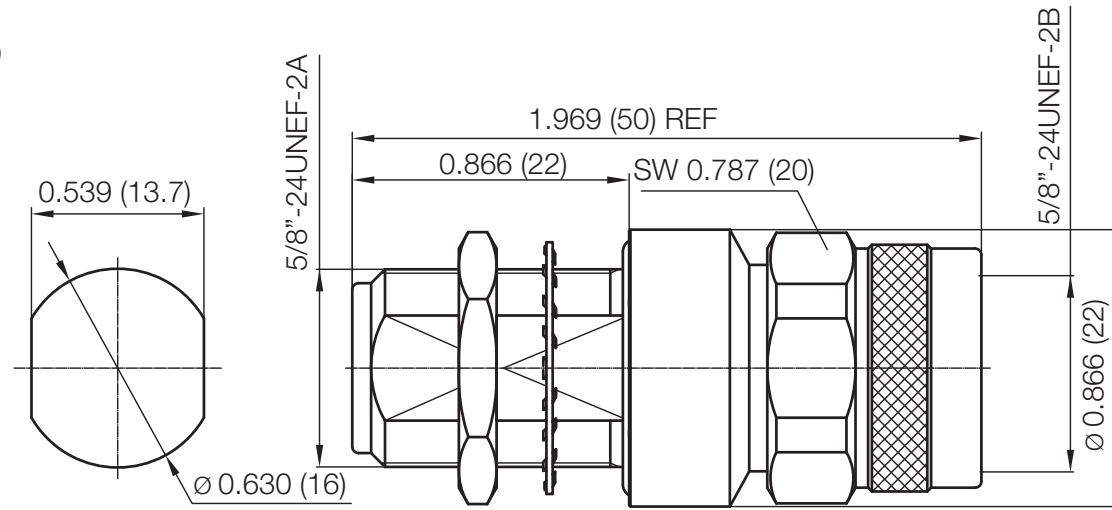
COMMENTS

INITIAL

Electrical Data

Impedance	50 Ω
Frequency Range	0 ~ 6 GHz.
DC Spark-Over Voltage	90V \pm 25%
Insertion Loss	\leq 0.3 dB
VSWR	\leq 1.25(@3GHz), \leq 1.45 (@6GHz)
Full Lightning Protection	10KA(@8/20 μ s)
Residual Voltage	(1kV/ μ s) : \leq 600V
Power	30W

RoHS Compliant

Mechanical DataTemperature Range: -45 $^{\circ}$ C ~ +85 $^{\circ}$ C

Drawing not to scale. Dimensions for reference only

Units: inches (mm)

Konnect RF

WWW.KONNECTRF.COM
1-800-790-5887

PART NUMBER

KLP177400

DESCRIPTION

**SMA Straight Female Jack Receptacle,
2 Hole Flange Mount**

CAGE CODE

664U0

SIGNATURE

X

Component

Body/Nut
Inner Contact
Insulator
O-ring:

Material

Brass
Brass/Bronze
PTFE
Silicone rubber

Plating

Tri-Metal
Gold
Red

THIS DRAWING INCLUDING THE
DESIGNS IS THE PROPERTY OF
KONNECT RF AND IS NOT TO
BE USED FOR ANY PURPOSE
WITHOUT OUR APPROVAL.