

PART NUMBER

KLP177364

REV.

DATE

COMMENTS

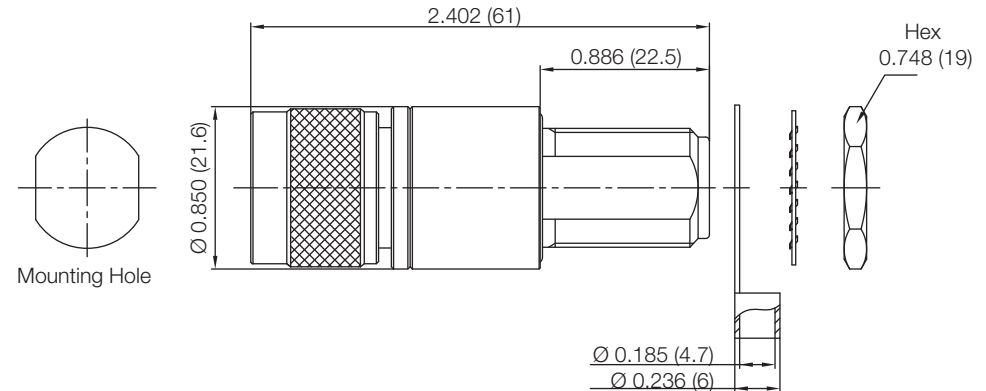
INITIAL

Electrical Data

Impedance	50 Ω
Frequency Range	DC - 6 GHz.
Insertion Loss	$\leq 0.20(3.0\text{GHz})$, $\leq 0.30(6.0\text{GHz})$ dB
Insulation Resistance	5,000 M Ω min
Dielectric Withstanding Voltage	XX VRMS
VSWR	1.25 Max @ DC-3GHz 1.35 Max @ DC-3-6GHz
Surge Current Handling Capability	10 single / 5 multiple kA (test pulse 8/20 μ s)
Residual Pulse Energy	250 μ J typically (test pulse 4 kV 1.2/50 μ s / 2kA 8/20 μ s main path - protected Side

Mechanical Data

Durability	100 Cycles Min.
Temperature Range:	-40 $^{\circ}$ C - 85 $^{\circ}$ C
Compatible With All Standard:	IEC 61643-21
Waterproof Rating	IP67



Drawing not to scale. Dimensions for reference only

Units: inches (mm)

Konnect RF

WWW.KONNECTRF.COM
1-800-790-5887

PART NUMBER

KLP177364

DESCRIPTION

Lightning Protector, N Male Plug to N Female Jack Bulkhead Mount w/ O-Ring Seal, Gas Discharge Tube, IP67

CAGE CODE

664U0

SIGNATURE

X

THIS DRAWING INCLUDING THE DESIGNS IS THE PROPERTY OF KONNECT RF AND IS NOT TO BE USED FOR ANY PURPOSE WITHOUT OUR APPROVAL.

Component

Body
Center Contact
Outer Contact
Insulator
O-Ring

Material

Brass
Phos. Bronze
Brass
PTFE
Silicone Rubber

Plating

White Bronze
Gold
White Bronze