

PART NUMBER

KLP177357

REV.

DATE

COMMENTS

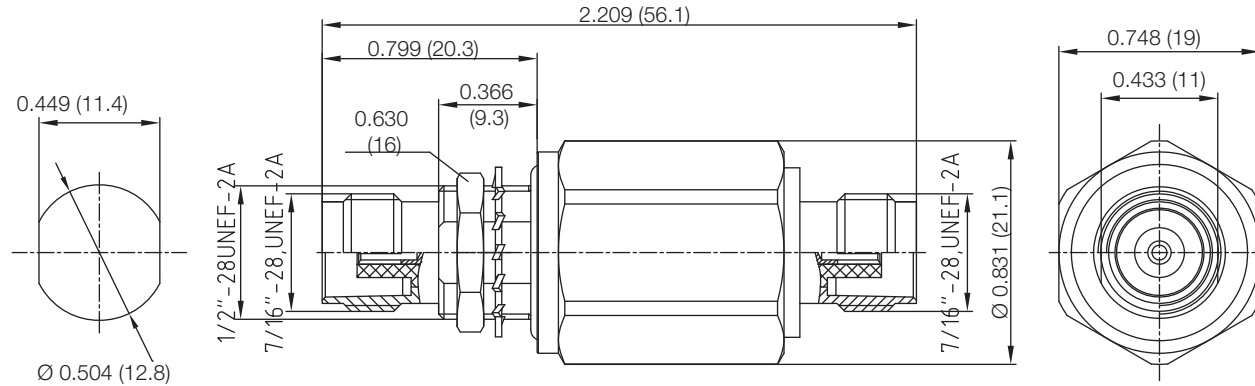
INITIAL

Electrical Data

Impedance	50 Ω
Frequency Range	DC - 3 GHz.
DC Spark-over Voltage	230V max
Full Lightning Protection	10kA @ 8/20 us
Insertion Loss	≤ 0.2 dB
Through Current	10A max
VSWR	≤ 1.25 @ 3 GHz

RoHS Compliant**Mechanical Data**

Durability	500 Cycles Min.
Coupling Test Torque	≤ 1.7 Nm
Center Contact Captivation	
Axial	≥ 28 N
Radial	≥ 3 Ncm
Temperature Range:	-45 °C - 85 °C



Drawing not to scale. Dimensions for reference only

Units: inches (mm)

Konnect RF

WWW.KONNECTRF.COM
1-800-790-5887

PART NUMBER

KLP177357

DESCRIPTION

Lightning Protector, TNC Female Jack to TNC Female Jack, EMP Protector, Gas Discharge Tube

CAGE CODE

664U0

SIGNATURE

X

THIS DRAWING INCLUDING THE DESIGNS IS THE PROPERTY OF KONNECT RF AND IS NOT TO BE USED FOR ANY PURPOSE WITHOUT OUR APPROVAL.

Component

Body
Center Contact
Washer
Nut
Gasket

Material

Brass
Bronze
Bronze
Brass
Silicone Rubber

Plating

Nickel
Gold
Nickel
Nickel