

PART NUMBER

KLP177355

REV.

DATE

COMMENTS

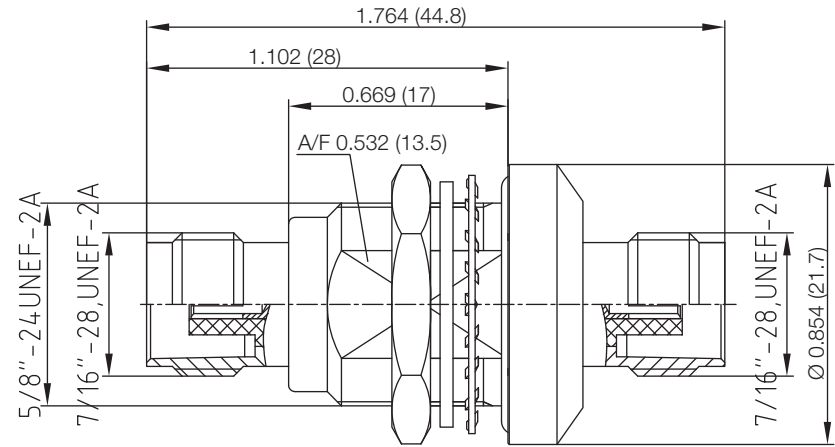
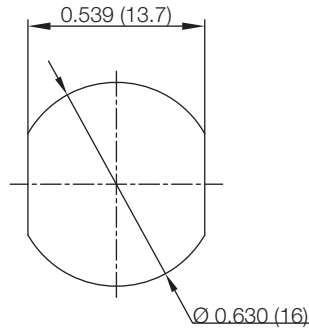
INITIAL

Electrical Data

Impedance	50 Ω
Frequency Range	DC - 3 GHz.
DC Spark-over Voltage	230V max
Full Lightning Protection	10kA @ 8/20 us
Insertion Loss	≤ 0.2 dB
Through Current	10A max
VSWR	≤ 1.25 @ 3 GHz

Mechanical Data

Durability	500 Cycles Min.
Coupling Test Torque	≤ 1.7 Nm
Center Contact Captivation	
Axial	≥ 28 N
Radial	≥ 3 Ncm
Temperature Range:	-45 °C - 85 °C

RoHS Compliant

Drawing not to scale. Dimensions for reference only

Units: inches (mm)

Konnect RF

WWW.KONNECTRF.COM
1-800-790-5887

PART NUMBER

KLP177355

DESCRIPTION

Lightning Protector, TNC Female Jack to TNC Female Jack, Bulkhead, EMP Protector, Gas Discharge Tube

CAGE CODE

664U0

SIGNATURE

X

THIS DRAWING INCLUDING THE DESIGNS IS THE PROPERTY OF KONNECT RF AND IS NOT TO BE USED FOR ANY PURPOSE WITHOUT OUR APPROVAL.