

High Transient 100kA+ - Lightning Arrestor with 7/16 DIN Connectors and Replaceable Protective Elements

Features:

- + 100kA+ Surge Protection
- + Passes DC Current
- + Frequency to well over 500MHz
- + Excellent RF Performance
- + Multiple Strike Capability
- + Bi-directional Protection
- + Rugged and Waterproof



*High RF transmission K-Class unit shown

RF Specifications

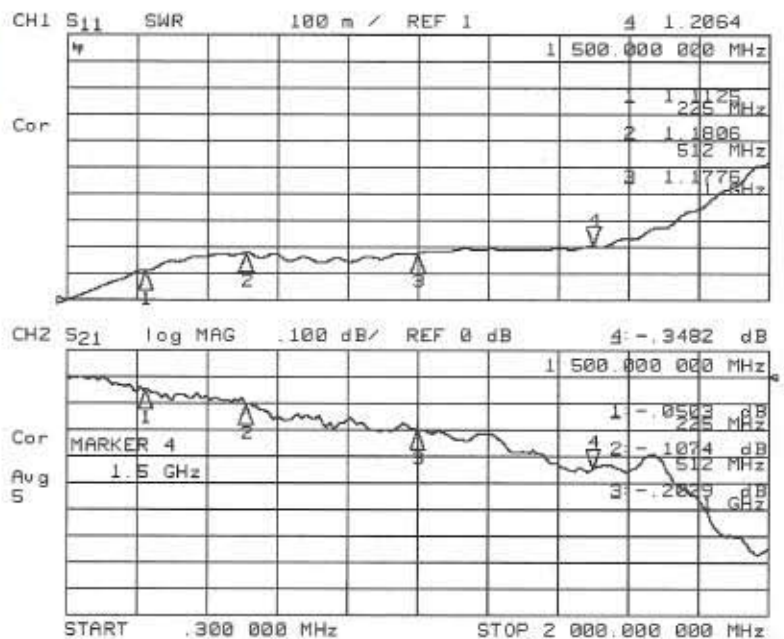
Frequency (MHz)	VSWR	Insertion Loss (dB)
dc – 225	1.20 Max	0.10 Max
225 – 512	1.30 Max	0.20 Max

- + Nominal Impedance – 50Ω
- + Through Voltage: +/-48Vdc
- + RF Power: See Protection Voltage table
- + Intermod Reduced

Transient Specifications

(1.2X50μs Voltage / 8X20μs Current waveform)

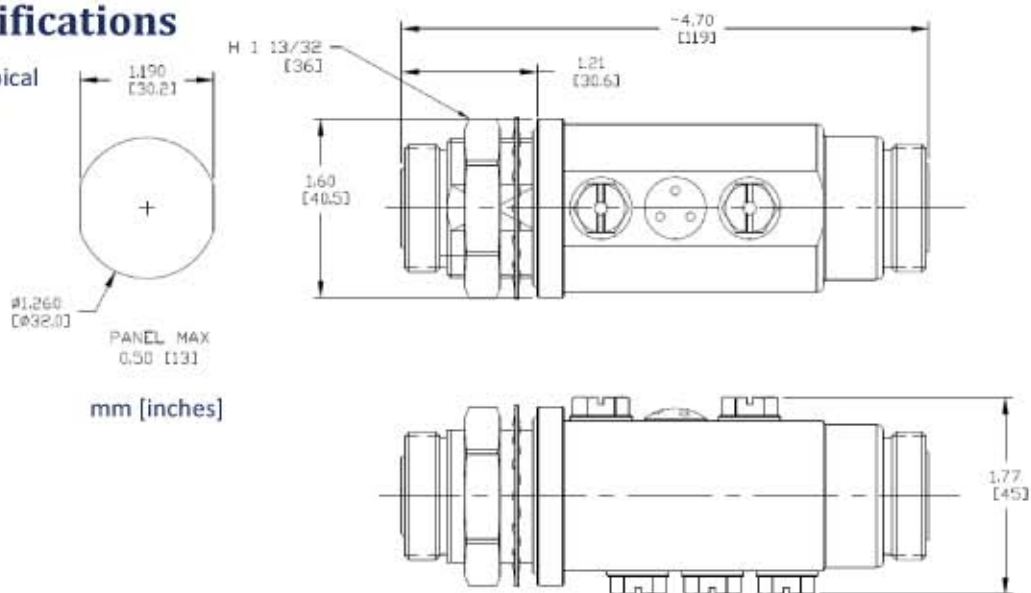
- + Maximum Transient: 100kA+
- + Multiple Strike: 70kA 10x / 30kA 100x
- + Let-through: See Protection Voltage table
- + Replaceable Gas Discharge Tubes 90V to 1000V



Typical VSWR and Insertion Loss

Mechanical Specifications

Weight: 1.2 pounds / 544g typical



Material and Finish

Component	Material	Finish
Outer Parts	Brass	GuardPlate™
Center Contact	BeCu	Silver
Insulator	PTFE	-
Gasket	Si Rubber	-

Guardplate™ is an alloy finish with the PIM and conductivity of Silver and the durability and anti-tarnish properties of Nickel.

For multiple carriers, sum of peak voltages should not exceed 60% of the protection voltage

Input is 6kV@1.2x50µs / 3kA@8x20µs.

Protection Voltage

Protection Voltage ¹	Voltage Code ²	RF Power kW	Let-through ³ V _{pk} / mJ
90	09	37	600 / 0.3
150	15	95	600 / 0.3
230	23	240	650 / 0.5
350	35	550	800 / 0.7
470	47	1000	1200 / 2.2
600	60	1600	1500 / 4.4
800	80	2900	1900 / 9.0
1000	99	4500	2200 / 14

Environmental Specifications

Temperature Range	-40°C to +90°C
Salt Fog	MIL-STD-202 Method 101D / Condition A (35°C/96 hrs)
Immersion	MIL-STD-202 Method 104A / Condition A (65°C to 25°C w/NaCl – 2 cycles)
Moisture Resistance	MIL-STD-202 Method 106E (65°C/98% RH condensing/240 hrs)
Temperature Shock	MIL-STD-202 Method 107D / Condition B-1 (25 cycles -65°C to +125°C)
Life (Elevated Temperature)	MIL-STD-202 Method 108A / Condition A (96 hours at 100°C)
Dust and Waterproof Rating	IEC529 IP68 (dust-tight and water proof 24 hrs / 1 m)
Vibration	MIL-STD-202 Method 204D / Condition D (10Hz-2kHz 0.06"DA/20g)
Mechanical Shock	MIL-STD-202 Method 213 / Condition A (50g/11ms ~24")