

PART NUMBER

KLP177341

REV.

DATE

COMMENTS

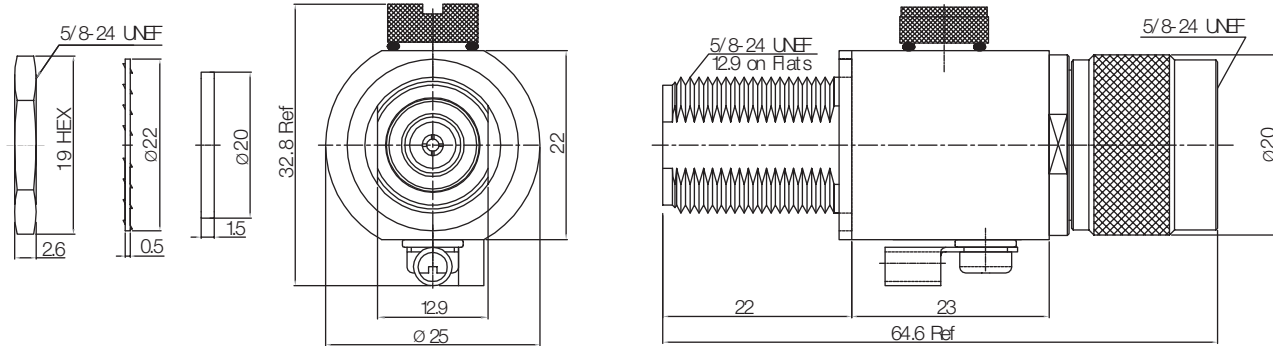
INITIAL

Electrical Data

Impedance	50 Ω
Frequency Range	DC - 6 GHz.
Insertion Loss	0.8 dBi Max
Gas Tube DC	230V +/- 20%
Gas Tube Insulation Resistance	$\geq 10,000$
RF Power Rating	25W
Gas Tube Impulse Breakdown	$\leq 700V$
Max Withstanding Current	20A
VSWR	1.6 Max

Mechanical Data

Temperature Range: -40 °C - 85 °C



Drawing not to scale. Dimensions for reference only

Units: mm

RoHS Compliant**Konnect RF**

WWW.KONNECTRF.COM
1-800-790-5887

PART NUMBER

KLP177341

DESCRIPTION

**Lightning Protector, N Male Plug to N Female
Jack Bulkhead w/ O-Ring, Surge Protector**

CAGE CODE

664U0

SIGNATURE

X

THIS DRAWING INCLUDING THE
DESIGNS IS THE PROPERTY OF
KONNECT RF AND IS NOT TO
BE USED FOR ANY PURPOSE
WITHOUT OUR APPROVAL.

Component

Body, Nut, & Washer
Center Contact
Shell
Insulator

Material

Brass
Brass
Brass
PTFE

Plating

Nickel
Gold
Nickel