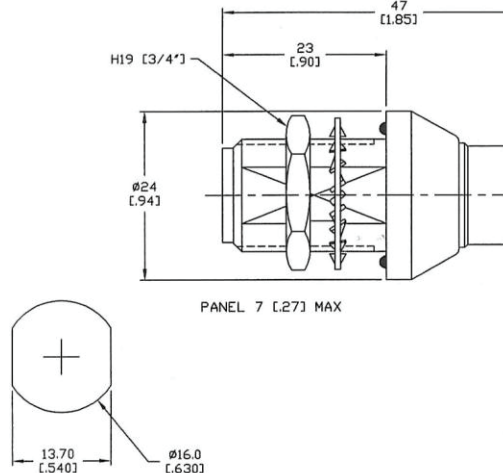


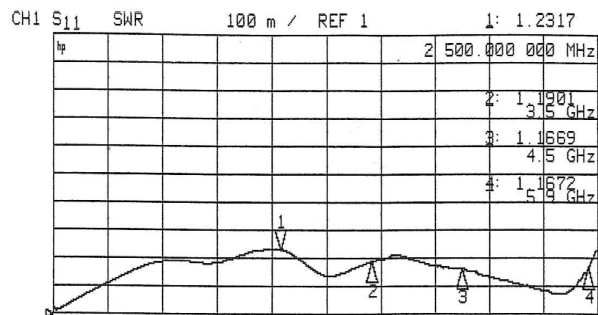
Lightning Protector, Gas Discharge Tube, N Female Jack to N Female Jack, Bulkhead,



RF Specifications

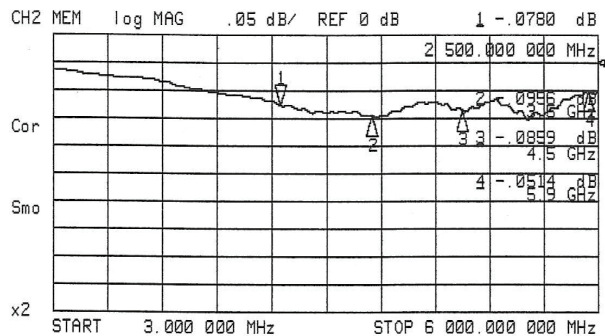
Frequency	VSWR	Insertion Loss (dB)
dc – 6Ghz	1.30 typ 1.45 max	.25 typ .30 max

Nominal Impedance – 50Ω
Through Current: 10A Max
RF Power: 30W (45dBm) max



Transient Specifications

Gas Discharge Tube 90V rated
Maximum Transient: 20kA (8x20μs)
Multiple Strike: 5kA 10 times
Let-through: 644Vpk/ 500 μJ
(Input 4kV 1.2x50 μs / 2kA 8x20μs)



Weight: 2 ounces (50g) typical

Environmental Specifications

Temperature Range	-40°C to +90°C
Salt Fog	MIL-STD-202 Method 101D / Condition B (35°C/96 hrs)
Immersion	MIL-STD-202 Method 104A / Condition A (65°C to 25°C w/NaCl – 2 cycles)
Moisture Resistance	MIL-STD-202 Method 106E (65 °C/98% RH condensing/240 hrs)
Temperature Shock	MIL-STD-202 Method 107D / Condition B-1 (25 cycles -65°C to +125°C)
Life (Elevated Temperature)	MIL-STD-202 Method 108A / Condition A (96 hours at 100°C)
Dust and Waterproof Rating	IEC529 IP68 (dust-tight and water proof 24 hrs / 1 m)
Vibration	MIL-STD-202 Method 204D / Condition D (10Hz-2kHz 0.06"DA/20g)
Mechanical Shock	MIL-STD-202 Method 213 / Condition A (50g/11ms ~24")

Material and Finish

Component	Material	Finish
Outer Parts	Brass	Nickel
Center Contact	BeCu	Gold
Insulator	PTFE	
Gasket	Si Rubber	