

PART NUMBER

**KLP177145**

REV.

DATE

COMMENTS

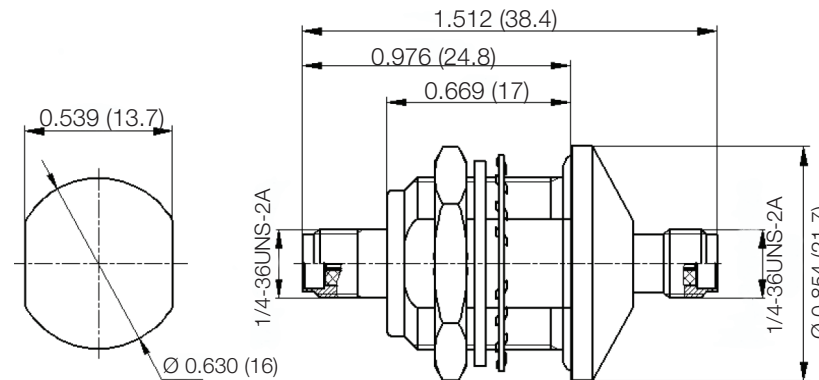
INITIAL

**Electrical Data**

Impedance	50 $\Omega$
Frequency Range	DC - 6 GHz.
Insertion Loss	0.20 dB @ DC-3 GHz
Full Lightning Protection	20kA (8/20 $\mu$ s)
Through Current	10A Max
Maximum Transient	50KA
Multiple Strike	5kA 10 times
VSWR	1.15 @ 3 GHz 1.35 @ 6 GHz

**RoHS Compliant****Mechanical Data**

Weight	39.5g
Temperature Range:	-40 °C - 85 °C



Drawing not to scale. Dimensions for reference only

Units: inches (mm)

**Konnect RF**

WWW.KONNECTRF.COM  
1-800-790-5887

PART NUMBER

**KLP177145**

DESCRIPTION

**Lightning Protector, SMA Female to SMA Female,  
Bulkhead, Gas Discharge Tube**

CAGE CODE

**664U0**

SIGNATURE

X

THIS DRAWING INCLUDING THE  
DESIGNS IS THE PROPERTY OF  
KONNECT RF AND IS NOT TO  
BE USED FOR ANY PURPOSE  
WITHOUT OUR APPROVAL.

**Component**

Body  
Center Contact  
Insulator

**Material**

Brass  
Bonze  
PTFE

**Plating**

White Bronze  
Gold