

PART NUMBER

**KLP177140**

REV.

DATE

COMMENTS

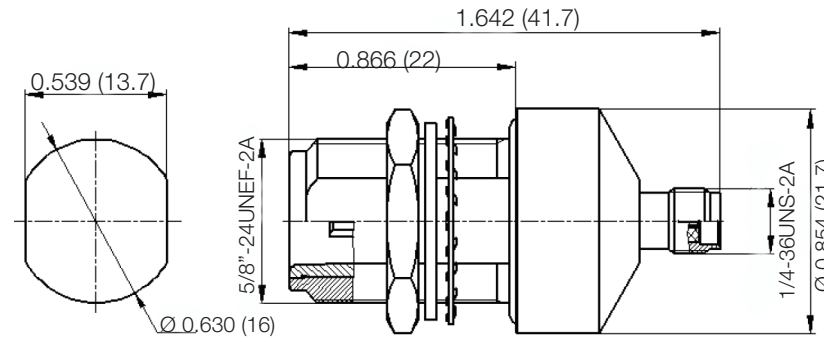
INITIAL

**Electrical Data**

Impedance	50 $\Omega$
Frequency Range	DC - 6 GHz.
Full Lightning Protection Through Current	20 kA (8/20 $\mu$ s)
Maximum Transient Multiple Strike	10A Max 50 KA 5kA 10 Times
Insertion Loss	0.20 dB @ DC- 3 GHz dB
VSWR	$\leq 1.15$ @ 3 GHz $\leq 1.35$ @ 6 GHz

**RoHS Compliant****Mechanical Data**

Weight	54.8 g
Temperature Range:	-40 °C - 85 °C



Drawing not to scale. Dimensions for reference only

Units: inches (mm)

**Konnect RF**

WWW.KONNECTRF.COM  
1-800-790-5887

PART NUMBER

**KLP177140**

DESCRIPTION

**Lightning Protector, N Female to SMA  
Female, Bulkhead, Gas Discharge Tube**

CAGE CODE

**664U0**

SIGNATURE

X

THIS DRAWING INCLUDING THE  
DESIGNS IS THE PROPERTY OF  
KONNECT RF AND IS NOT TO  
BE USED FOR ANY PURPOSE  
WITHOUT OUR APPROVAL.

**Component**

Body  
Center Contact  
Insulator

**Material**

Brass  
Bronze  
PTFE

**Plating**

White Bronze  
Silver