

PART NUMBER

KLP177136

REV.

DATE

COMMENTS

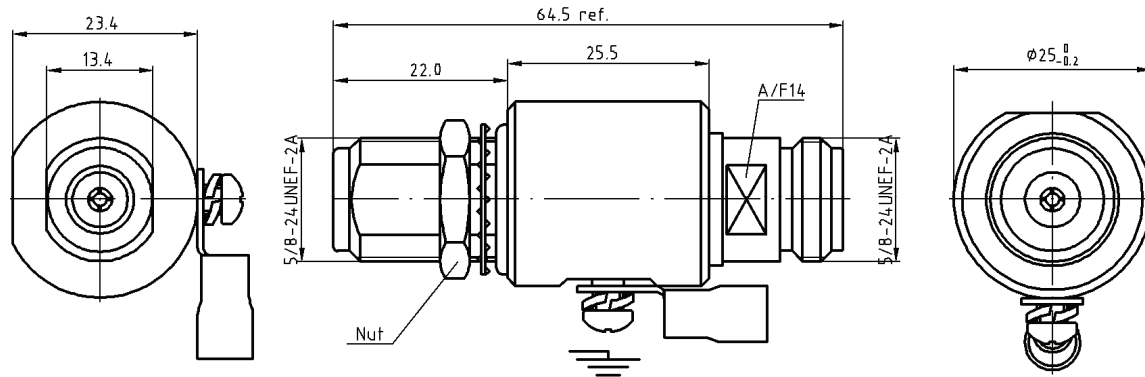
INITIAL

Electrical Data

Impedance	50 Ω
Frequency Range	DC - 3.4GHz.
Insertion Loss	≤0.25dB(@3.4GHz)
DC Spark-over voltage	500V±20%
Surge current handling capability	20kA(@8/20us)
Residual voltage(1kV/us) ≤600V	
VSWR	≤1.25 (@3.4GHz)
Rf CW power	250W@ 300MHz, 160W@ 350MHz, 100W@ 900MHz; 75W@ 1.2GHz, 52W@1.9GHz, 42W@ 2.4GHz, 36W@ 3GHz;

Mechanical Data

Durability	500 Cycles Min.
Interface	To meet N Type
Temperature Range:	-45 °C - 85 °C
Salt spray test	48H
Protection grade	IP67
2002/95/EC (RoHS) compliant	

**RoHS Compliant**

Drawing not to scale. Dimensions for reference only

Units: mm

Konnect RF

WWW.KONNECTRF.COM
1-800-790-5887

PART NUMBER

KLP177136

DESCRIPTION

**Surge Protector, Gas Discharge Tube, N Female Jack to
N Female Jack, Bulkhead**

CAGE CODE

664U0

SIGNATURE

X

THIS DRAWING INCLUDING THE
DESIGNS IS THE PROPERTY OF
KONNECT RF AND IS NOT TO
BE USED FOR ANY PURPOSE
WITHOUT OUR APPROVAL.

Component

Outer Body
Center Contact
Nut
Insulator

Material

Brass
Bronze
Brass
PTFE

Plating

Nickel
Gold
Nickel