

PART NUMBER

**KLP177131**

REV.

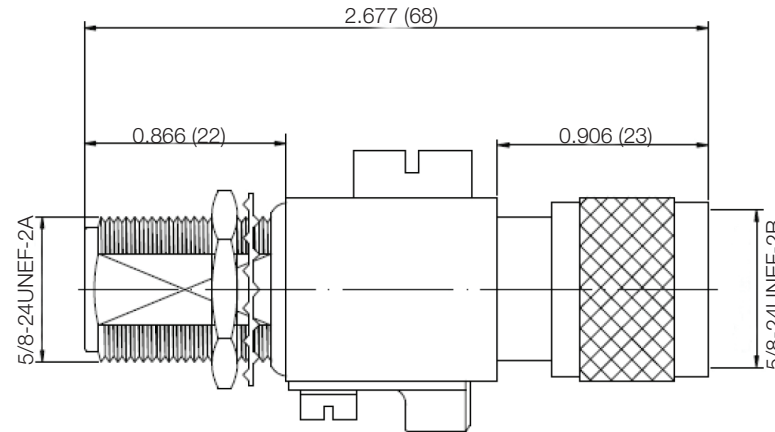
DATE

COMMENTS

INITIAL

**Electrical Data**

Impedance	50 $\Omega$
Frequency Range	DC-6 GHz.
Full Lightning Protection Through Current	(20kA; 8/20 $\mu$ s)
Maximum Transient	10A Max
Multiple Strike	50KA
Insertion Loss	20Ka 10 times
VSWR	0.20 dB @ DC-3GHz
	$\leq 1.1$ @ 3 GHz
	$\leq 1.3$ @ 6 GHz

**RoHS Compliant**

Drawing not to scale. Dimensions for reference only

Units: inches (mm)

**Konnect RF**

WWW.KONNECTRF.COM  
1-800-790-5887

PART NUMBER

**KLP177131**

DESCRIPTION

**Lightning Protector, N Male Plug to N Female Jack Bulkhead Mount w/ O-Ring Seal, Gas Discharge Tube**

CAGE CODE

**664U0**

SIGNATURE

X

THIS DRAWING INCLUDING THE DESIGNS IS THE PROPERTY OF KONNECT RF AND IS NOT TO BE USED FOR ANY PURPOSE WITHOUT OUR APPROVAL.

**Component**

Body  
Center Contact  
Insulator

**Material**

Brass  
Brass  
PTFE

**Plating**

White Bronze  
White Bronze