

PART NUMBER

KLP177130

REV.

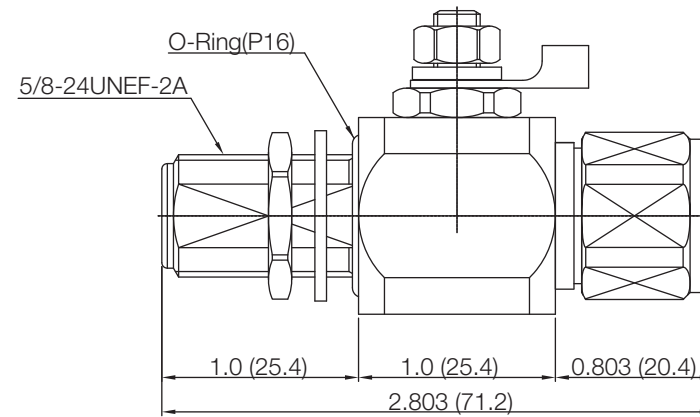
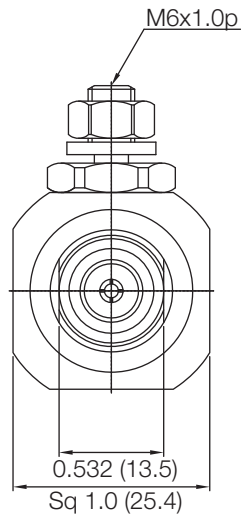
DATE

COMMENTS

INITIAL

Electrical Data

Impedance	50 Ω
Frequency Range	DC - 3.0 GHz.
Insertion Loss	0.2 dB Max
Return Loss	23 dB Min
Type	Gas Capsule Type (230V)
Power Rating	50 Watts

RoHS Compliant

Drawing not to scale. Dimensions for reference only

Units: inches (mm)

Konnect RF

WWW.KONNECTRF.COM
1-800-790-5887

PART NUMBER

KLP177130

DESCRIPTION

Lightning Protector, N Male Plug to N Female Jack Bulkhead Mount w/ O-Ring Seal

CAGE CODE

664U0

SIGNATURE

X

THIS DRAWING INCLUDING THE DESIGNS IS THE PROPERTY OF KONNECT RF AND IS NOT TO BE USED FOR ANY PURPOSE WITHOUT OUR APPROVAL.

Component

Body & Coupling Nut
Center Contact
Seal
Insulator

Material

Brass
BeCu
NBR
PTFE

Plating

White Bronze
Gold