

PART NUMBER  
**KLP177127**

| REV. | DATE | COMMENTS | INITIAL |
|------|------|----------|---------|
|      |      |          |         |

**Electrical Data**

Impedance 50 Ω  
 Frequency Range DC - 2.5 GHz.  
 Voltage Protection 230 Volts  
 VSWR ≤ 1.25

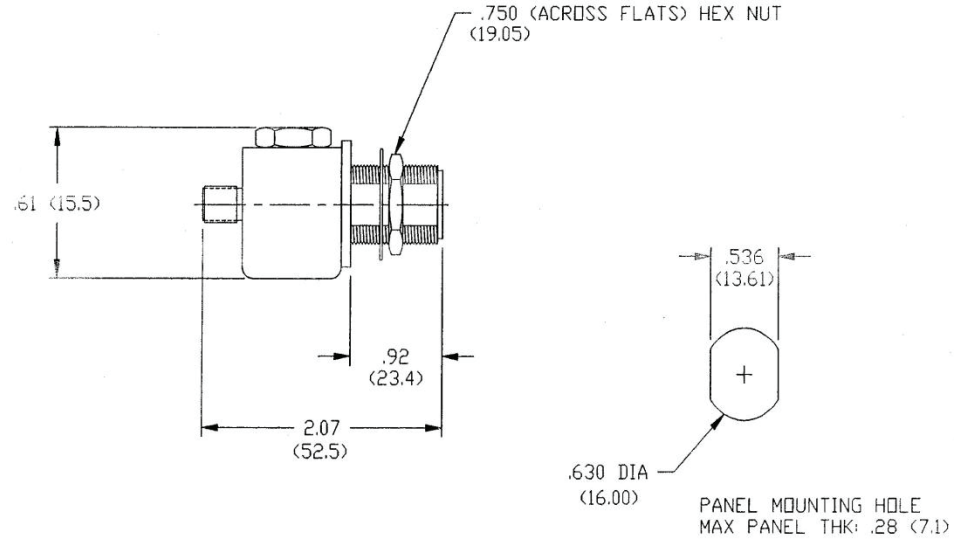
**RoHS Compliant**

**Mechanical Data**

Temperature Range: -40 °C - 90 °C

**Standards**

|                             |  |
|-----------------------------|--|
| Salt Fog                    | MIL-STD-202 Method 101D / Condition B (35oC/96 hrs)                    |
| Immersion                   | MIL-STD-202 Method 104A / Condition A (65oC to 25oC w/NaCl - 2 cycles) |
| Moisture Resistance         | MIL-STD-202 Method 106E (65 oC/98% RH condensing/240 hrs)              |
| Temperature Shock           | MIL-STD-202 Method 107D / Condition B-1 (25 cycles -65oC to +125oC)    |
| Life (Elevated Temperature) | MIL-STD-202 Method 108A / Condition A (96 hours at 100oC)              |
| Dust and Waterproof Rating  | IEC529 IP68 (dust-tight and water proof 24 hrs / 1 m)                  |
| Vibration                   | MIL-STD-202 Method 204D / Condition D (10Hz-2kHz 0.06"DA/20g)          |
| Mechanical Shock            | MIL-STD-202 Method 213 / Condition A (50g/11ms ~24")                   |



Drawing not to scale. Dimensions for reference only Units: inches (mm)



WWW.KONNECTRF.COM  
1-800-790-5887

| PART NUMBER  |           | DESCRIPTION   |          |         |
|--|-----------|---|----------|---------|
| <b>KLP177127</b>   |           | <b>Lightning Protector,N Female Jack To SMA Female Jack</b> |          |         |
| CAGE CODE  | SIGNATURE | Component   | Material | Plating |
| <b>664U0</b>   | X         |   |          |         |
| THIS DRAWING INCLUDING THE DESIGNS IS THE PROPERTY OF KONNECT RF AND IS NOT TO BE USED FOR ANY PURPOSE WITHOUT OUR APPROVAL. |           | Body  | Brass    | Nickel  |
|  |           | Center Contact  | BeCu     | Gold    |
|  |           | Insulator   | PTFE     |         |