

PART NUMBER

KLP177124

REV.

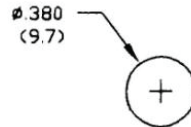
DATE

COMMENTS

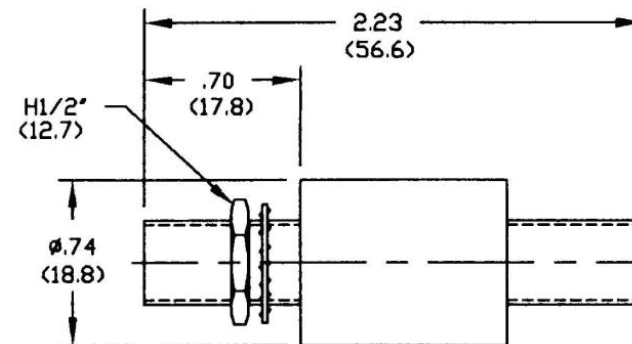
INITIAL

Electrical Data

Impedance 75 Ω
 Frequency Range DC - 2.5 GHz.
 Insertion Loss ≤ 0.15 dB typ
 Through Current 3A Max at 48Vdc max
 RF Power 25W maximum
 VSWR ≤ 1.20 typ
 Protection 90 V

RoHS Compliant

Panel .25 (6.3) Max

**Standards**

Temperature Range -40°C to 70°C
 Salt Fog MIL-STD-202 Method 101D/ Condition B (35°C/96hrs)
 Immersion MIL-STD-202 Method 104A/ Condition A (65°C to 25°C w/NACI-2 cycles)
 Moisture Resistance MIL-STD-202 Method 106E (65°C/98% RH Condensing/240 hrs)
 Temperature Shock MIL-STD-202 Method 107D/ Condition B-1 (25 Cycles -65°C to 125°C)
 Life (Elevated Temperature) MIL-STD-202 Method 108A / Condition A (96 hours @ 100°C)
 Dust And Waterproof Rating IP67 (dust-tight and waterproof 1hr/1 m)
 Vibration MIL-STD-202 Method 204D/ Condition D (10Hz-2kHz 0.06"SA/20g)
 Mechanical Shock MIL-STD-202 Method 213 / Condition A (50g/11ms -24")

Drawing not to scale. Dimensions for reference only**Units: inches (mm)****Konnect RF**

WWW.KONNECTRF.COM
 1-800-790-5887

PART NUMBER

KLP177124

DESCRIPTION

Lightning Protector, F Female Jack to F Female Jack

CAGE CODE

664U0

SIGNATURE

X

THIS DRAWING INCLUDING THE
 DESIGNS IS THE PROPERTY OF
 KONNECT RF AND IS NOT TO
 BE USED FOR ANY PURPOSE
 WITHOUT OUR APPROVAL.

Component
 Outer Parts
 Center Contact
 Insulator

Material
 Brass
 Bronze
 Polymer

Plating
 Tin or Nickel
 Silver