

PART NUMBER

KLP177123

REV.

DATE

COMMENTS

INITIAL

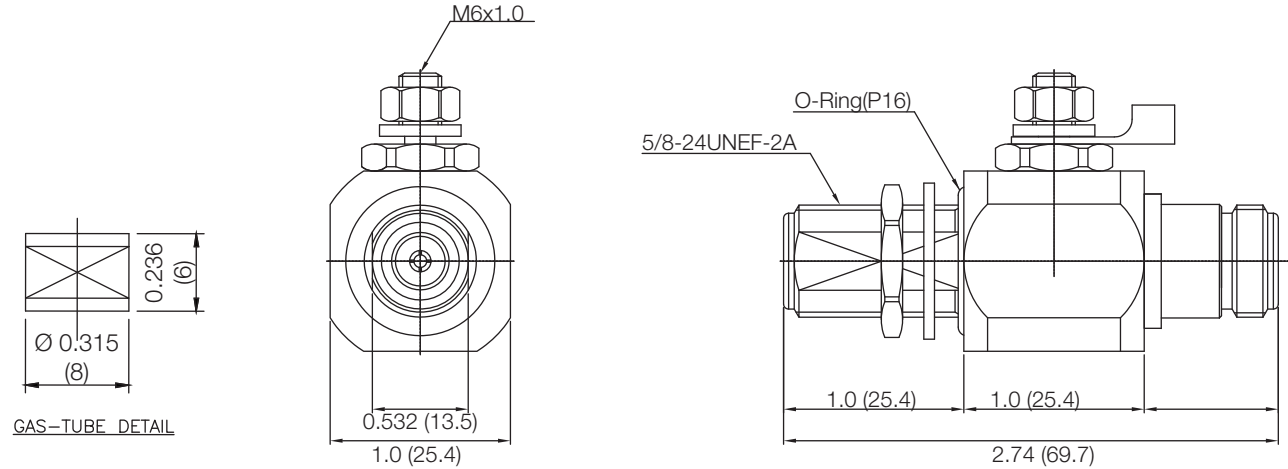
A

10/20/2021

Updated Electrical Specs

Electrical Data

Impedance	50 Ω
Frequency Range	DC - 3.0 GHz.
Return Loss	20 dB Max
Insertion Loss	≤ 0.2 dB Max
RF Power	200 Watts
Type	Gas Capsule Type
VSWR	1.20:1 max

RoHS Compliant**Drawing not to scale. Dimensions for reference only****Units: inches (mm)****Konnect RF**

WWW.KONNECTRF.COM
1-800-790-5887

PART NUMBER

KLP177123

DESCRIPTION

**Lightning Protector, N Female Jack
to N Female Jack, Bulkhead Mount**

CAGE CODE

664U0

SIGNATURE

X

THIS DRAWING INCLUDING THE
DESIGNS IS THE PROPERTY OF
KONNECT RF AND IS NOT TO
BE USED FOR ANY PURPOSE
WITHOUT OUR APPROVAL.

Component

Body
Center Contact
Insulator
Seal

Material

Brass
BeCu
PTFE
NBR

Plating

White Bronze
Gold