

PART NUMBER

KLP177121

REV.

DATE

COMMENTS

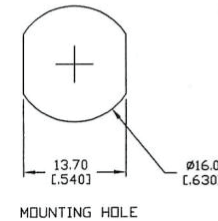
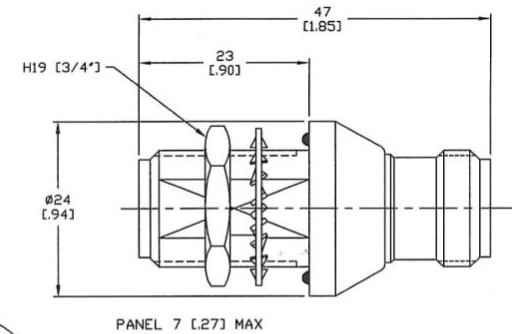
INITIAL

Electrical Data

Impedance	50 Ω
Frequency Range	DC - 6 GHz.
Insertion Loss	\leq .25 dB Typical \leq .30 dB Max
Through Current	10A Max
RF Power	30W (45dBm) Max
Gas Discharge Tube	350V Rated
Maximum Transient	20kA (8x20 μ s)
Multiple Strikes	5kA 10 Times
Let Through	644Vpk/ 500 μ J
VSWR	\leq 1.30 Typical \leq 1.45 Max

Mechanical DataTemperature Range: -40 $^{\circ}$ C - 90 $^{\circ}$ C**Standards**

Salt Fog	MIL-STD-202 Method 101D / Condition B (35 $^{\circ}$ C/96 hrs)
Immersion	MIL-STD-202 Method 104A / Condition A (65 $^{\circ}$ C to 25 $^{\circ}$ C w/NaCl - 2 cycles)
Moisture Resistance	MIL-STD-202 Method 106E (65 $^{\circ}$ C/98% RH condensing/240 hrs)
Temperature Shock	MIL-STD-202 Method 107D / Condition B-1 (25 cycles -65 $^{\circ}$ C to +125 $^{\circ}$ C)
Life (Elevated Temperature)	MIL-STD-202 Method 108A / Condition A (96 hours at 100 $^{\circ}$ C)
Dust and Waterproof Rating	IEC529 IP68 (dust-tight and water proof 24 hrs / 1 m)
Vibration	MIL-STD-202 Method 204D / Condition D (10Hz-2kHz 0.06" DA/20g)
Mechanical Shock	MIL-STD-202 Method 213 / Condition A (50g/11ms ~24")

RoHS Compliant

Drawing not to scale. Dimensions for reference only

Units: mm [Inches]

Konnect RFWWW.KONNECTRF.COM
1-800-790-5887

PART NUMBER

KLP177121

DESCRIPTION

Lightning Protector, N Female Jack to N Female Jack

CAGE CODE

664U0

SIGNATURE

X

THIS DRAWING INCLUDING THE
DESIGNS IS THE PROPERTY OF
KONNECT RF AND IS NOT TO
BE USED FOR ANY PURPOSE
WITHOUT OUR APPROVAL.**Component**Body
Center Contact
Insulator
Gasket**Material**Brass
BeCu
PTFE
Silicone Rubber**Plating**Nickel
Gold