

PART NUMBER

KLP177113

REV.

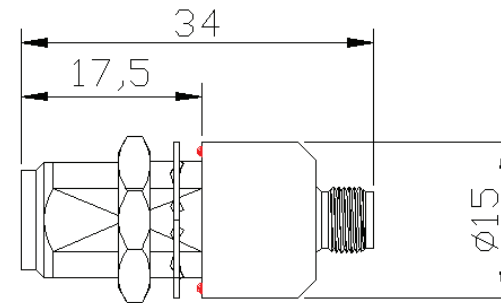
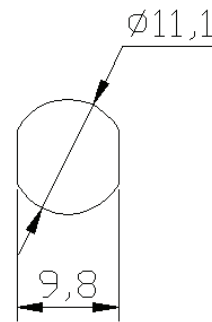
DATE

COMMENTS

INITIAL

RoHS Compliant

Impedance	50 ohm
Frequency	DC-6GHz
Insertion loss	0.4dB
Return loss	20dB
Breakdown voltage	230V±20%V
Impulse Discharge current	5kA 8/20us
MAX Impulse Discharge current	10kA 8/20us
MAX Power	25W
DC pass/block	PASS
Environment	IP65
Work temp	-40-85°C
Surface	SnNi plating
Salt fog	96 h
IP65	



Drawing not to scale. Dimensions for reference only

Units: mm

Konnect RF

WWW.KONNECTRF.COM
1-800-790-5887

PART NUMBER

KLP177113

DESCRIPTION

Lightning Protector, GDT Surge Arrestor, TNC Female Jack to SMA Female Jack, Bulkhead, O-Ring Seal

CAGE CODE

664U0

SIGNATURE

X

THIS DRAWING INCLUDING THE DESIGNS IS THE PROPERTY OF KONNECT RF AND IS NOT TO BE USED FOR ANY PURPOSE WITHOUT OUR APPROVAL.