

PART NUMBER

KLP177109

REV.

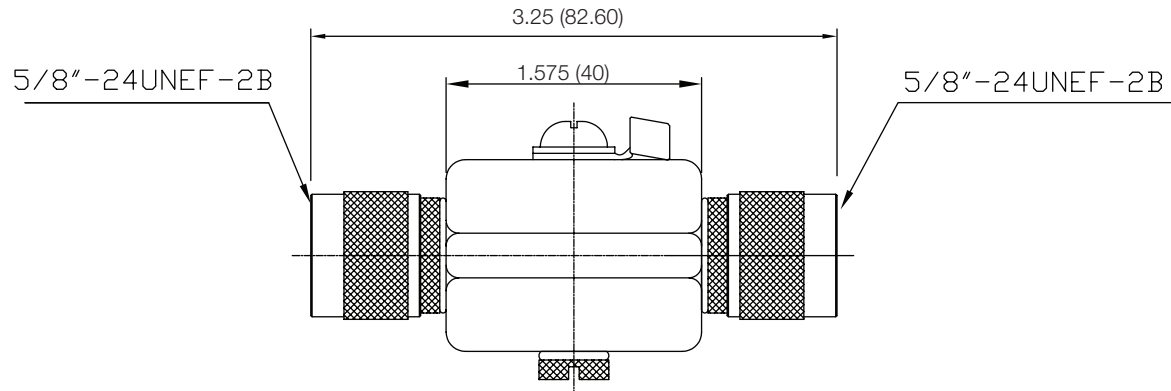
DATE

COMMENTS

INITIAL

Electrical Data

Impedance 50 Ω
 Frequency Range DC - 3 GHz.
 Insertion Loss <0.9
 Gas Tube DC Breakdown Voltage $\leq 700V$
 Insulation Resistance $\geq 10,000 M\Omega$
 Surge Discharge Current 10KA
 RF Power Rating 15W
 VSWR 1:1.5 Max

RoHS Compliant

Drawing not to scale. Dimensions for reference only

Units: inches (mm)


Konnnect RF

WWW.KONNECTRF.COM
 1-800-790-5887

PART NUMBER

KLP177109

DESCRIPTION

Lightning Protector, Gas Tube, N Male Plug to N Male Plug

CAGE CODE

664U0

SIGNATURE

X 

THIS DRAWING INCLUDING THE
 DESIGNS IS THE PROPERTY OF
 KONNECT RF AND IS NOT TO
 BE USED FOR ANY PURPOSE
 WITHOUT OUR APPROVAL.