

PART NUMBER

**KLP177105**

REV.

DATE

COMMENTS

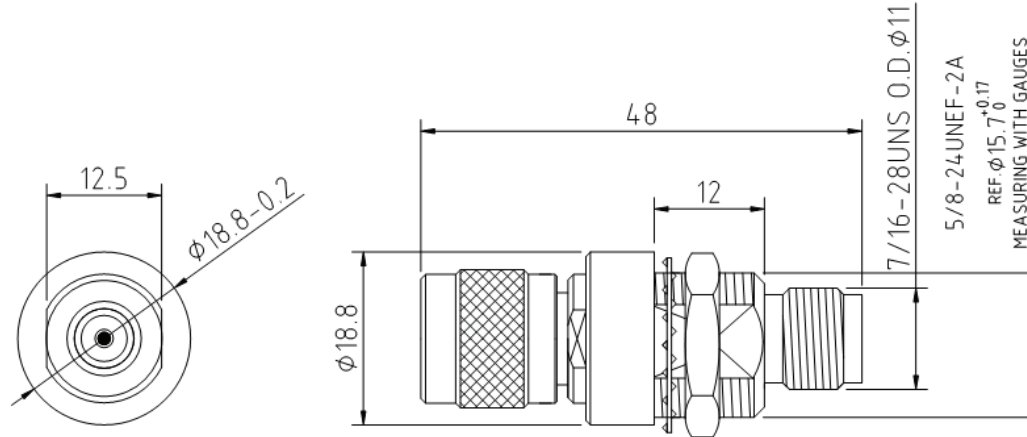
INITIAL

**Electrical Data**

Impedance	50 $\Omega$
Frequency Range	DC - 6 GHz.
Insertion Loss	0.4 dB
Return Loss	20 dB
Breakdown Voltage	230V +/- 20%V
Impulse Discharge Current	5kA
Max Impulse Discharge Current	10kA
Max Power	25W
DC pass/block	Pass

**RoHS Compliant****Mechanical Data**

Temperature Range:	-40 °C - 85 °C
Salt Fog	72h
IP67	



Drawing not to scale. Dimensions for reference only

Units: mm

**Konnect RF**

WWW.KONNECTRF.COM  
1-800-790-5887

PART NUMBER

**KLP177105**

DESCRIPTION

**Lightning Protector, Gas Discharge Tube, TNC  
Male Plug to TNC Female Jack, Bulkhead**

CAGE CODE

**664U0**

SIGNATURE

X

THIS DRAWING INCLUDING THE  
DESIGNS IS THE PROPERTY OF  
KONNECT RF AND IS NOT TO  
BE USED FOR ANY PURPOSE  
WITHOUT OUR APPROVAL.