

PART NUMBER

KLP177104

REV.

DATE

COMMENTS

INITIAL

Electrical Data

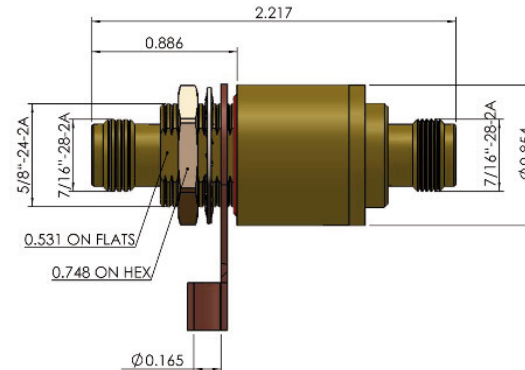
Impedance	50 Ω
Frequency Range	DC - 6 GHz.
Insertion Loss	<0.15 dB (DC-6 GHz)
Maximum Surge Current	10kA Multiple (8x20μs wave-form)
Impulse Sparkover	700V (1kV/μs)
Turn on	180Vdc
Average Power	150 Watts
Protection Circuit	DC Pass
VSWR	<1.3/<-18 dB (DC-6 GHz)

RoHS Compliant**Mechanical Data**

Durability	500 Cycles Min.
Recommended Coupling	4-6 in-lbs
Temperature Range:	-40 °C - 85 °C
Weatherization	IEC 60068 40/085/21 & IP67

Standards

Thermal Shock	US MIL-STD 202, Meth. 107, Cond B
Vibration	US MIL-STD 202, Meth. 204, Cond B
Shock	US MIL-STD 202, Meth. 213, Cond I



Drawing not to scale. Dimensions for reference only

Units: inches

Konnect RF

WWW.KONNECTRF.COM
1-800-790-5887

PART NUMBER

KLP177104

DESCRIPTION

**Lightning Protector, Gas Discharge Tube,
TNC Female Jack to TNC Female Jack, Bulkhead**

CAGE CODE

664U0

SIGNATURE

X

THIS DRAWING INCLUDING THE
DESIGNS IS THE PROPERTY OF
KONNECT RF AND IS NOT TO
BE USED FOR ANY PURPOSE
WITHOUT OUR APPROVAL.

Component

Body
Center Contact Male
Center Contact Female
Coupling Nut & Washer
O-Ring
Insulator

Material

Aluminum
Brass
Phos. Bronze
Brass
Silicone Rubber
PTFE

Plating

White Bronze
Silver
Silver
White Bronze