

PART NUMBER

**KLP177047**

REV.

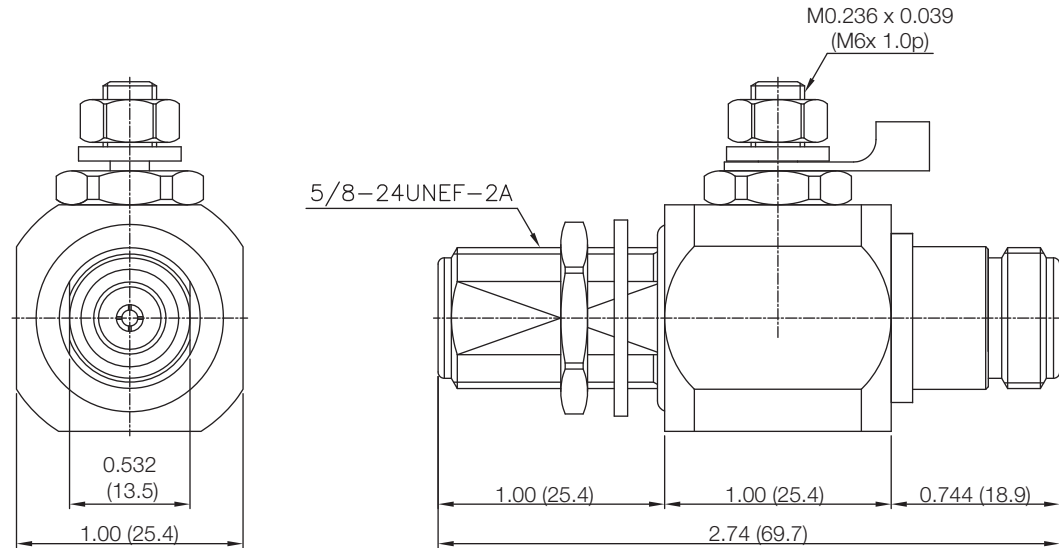
DATE

COMMENTS

INITIAL

**Electrical Data**

Impedance	50 $\Omega$
Frequency Range	DC - 3 GHz.
Return Loss	20 dB Max
Insertion Loss	0.3 dB max
Type	Gas Capsule Type
RF power	200 Watts
Nominal Discharge Current	in (8/20) $\mu$ s :20Ka
Voltage of Gas Capsule type	230V is added.

**RoHS Compliant**

Drawing not to scale. Dimensions for reference only

Units: inches (mm)

**Konnect RF**

WWW.KONNECTRF.COM  
1-800-790-5887

PART NUMBER

**KLP177047**

DESCRIPTION

**Lightning Protector, N Female Jack to  
N Female Jack Bulkhead, Gas Capsule Type**

CAGE CODE

**664U0**

SIGNATURE

X

THIS DRAWING INCLUDING THE  
DESIGNS IS THE PROPERTY OF  
KONNECT RF AND IS NOT TO  
BE USED FOR ANY PURPOSE  
WITHOUT OUR APPROVAL.

**Component**

Body  
Center Contact  
Insulator  
Seal

**Material**

Brass  
BeCu  
PTFE  
NBR

**Plating**

White Bronze  
Gold