

PART NUMBER

**KLP177035**

REV.

DATE

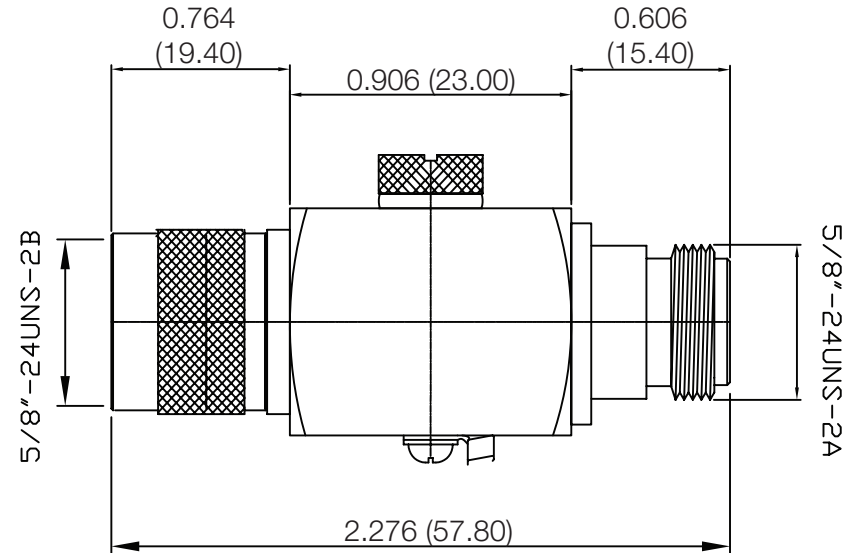
COMMENTS

INITIAL

**Electrical Data**

Impedance	50 Ohm
Frequency Range	0 - 6 GHz.
Insertion Loss	0.7 dB
VSWR	1:1.6 Max
Gas Tube DC Breakdown Voltage	230V
Impulse Breakdown Voltage	700V
Insulation Resistance	10000 M Ohm
Surge Discharge Current	10KA
RF Power Rating	15W

RoHS Compliant



Drawing not to scale. Dimensions for reference only

Units: inches (mm)

**Konnect RF**

**WWW.KONNECTRF.COM**  
**1-800-790-5887**

PART NUMBER

**KLP177035**

DESCRIPTION

**Lightning Protector, N Male Plug to N Female Jack,(O-Ring)**

CAGE CODE

**664U0**

SIGNATURE

X

Component	Material	Plating
Body		
Center Contact		
Insulator		

THIS DRAWING INCLUDING THE DESIGNS IS THE PROPERTY OF KONNECT RF AND IS NOT TO BE USED FOR ANY PURPOSE WITHOUT OUR APPROVAL.