

PART NUMBER

**KIS177949**

REV.

DATE

COMMENTS

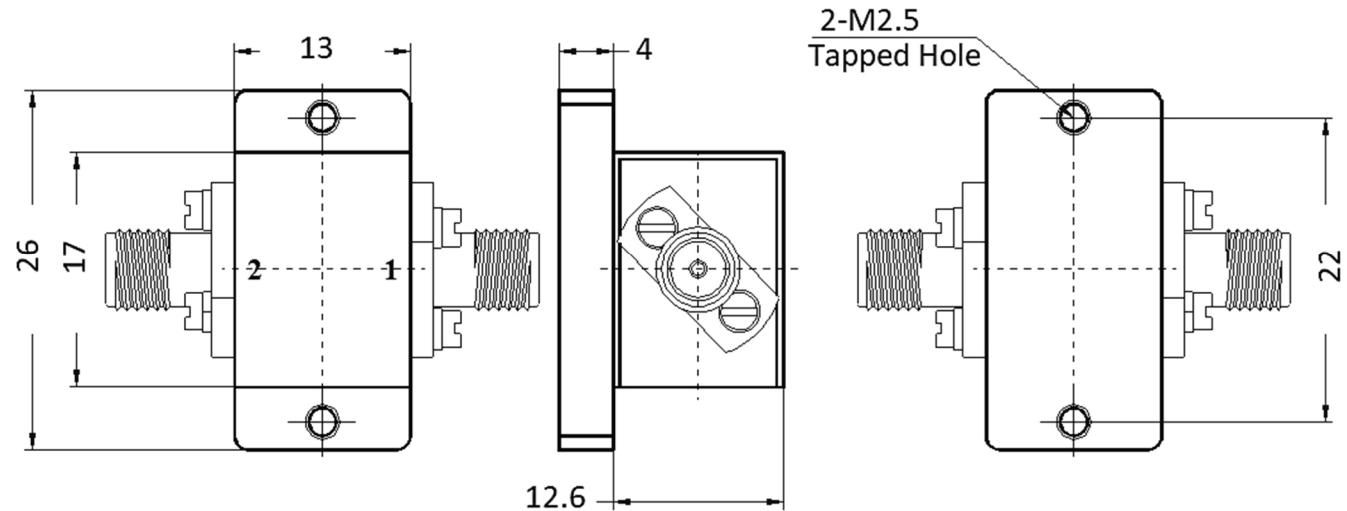
INITIAL

**Electrical Data**

Impedance	50 $\Omega$
Frequency Range	26.5-40GHz.
Insertion Loss	1.7dB
Isolation	14dB
Power	
Forward	10W
Reverse	1W
VSWR	1.80

**Mechanical Data**

Temperature Range:	-45 °C - 85 °C
Direction	Clockwise

**RoHS Compliant**

Drawing not to scale. Dimensions for reference only

Units: inches mm Tolerance:±0.25mm

**Konnect RF**

WWW.KONNECTRF.COM  
1-800-790-5887

PART NUMBER

**KIS177949**

DESCRIPTION

**Isolator, 2.92 Female Jack**

CAGE CODE

**664U0**

SIGNATURE

X

THIS DRAWING INCLUDING THE  
DESIGNS IS THE PROPERTY OF  
KONNECT RF AND IS NOT TO  
BE USED FOR ANY PURPOSE  
WITHOUT OUR APPROVAL.