

PART NUMBER

KIS177884

REV.

DATE

COMMENTS

INITIAL

Electrical Data

Impedance	50 Ω
Frequency Range	1.500 - 1.800 GHz.
Insertion Loss	0.40 dB
Isolation	20 dB
Return Loss	20 dB

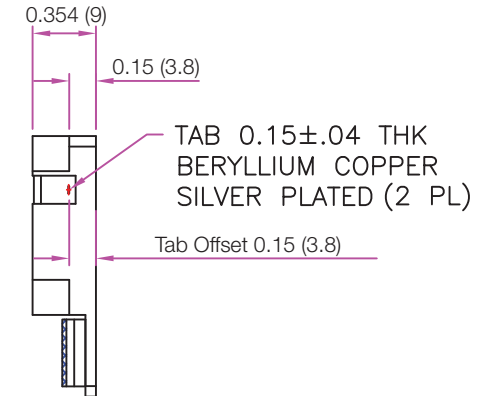
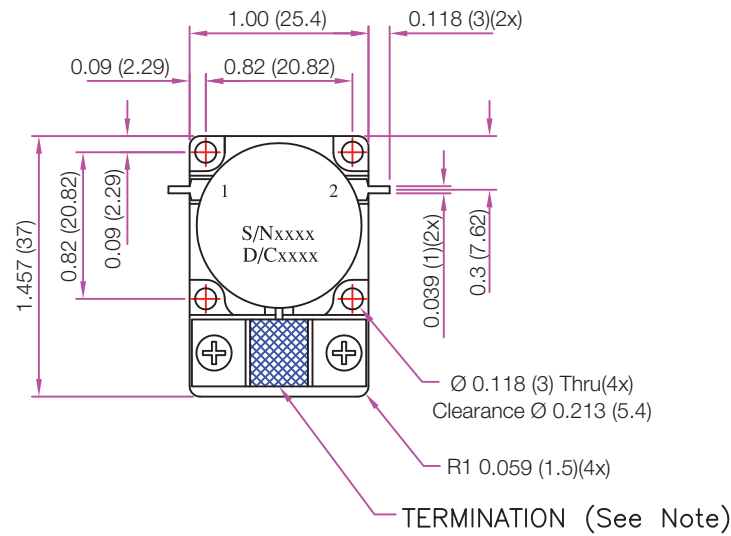
Mechanical Data

Temperature Range: -40 °C - 85 °C

Room Temp :	+25 \pm 5°C
Isolation dB (Min.) :	22
Insertion Loss dB (Max.) :	0.30
Return Loss dB (Min.) :	22

Forward Power : 1000 W peak, 200 W average
 Reverse Power : 200 W CW
 Storage Temperature : -40 To +95°C

RoHS Compliant

**Drawing not to scale. Dimensions for reference only****Units: inches (mm)****Konnect RF**

WWW.KONNECTRF.COM
1-800-790-5887

PART NUMBER

KIS177884

DESCRIPTION

Isolator, Drop In

CAGE CODE

664U0

SIGNATURE

X

Component
Body

Material
Steel

Plating
Nickel

THIS DRAWING INCLUDING THE
 DESIGNS IS THE PROPERTY OF
 KONNECT RF AND IS NOT TO
 BE USED FOR ANY PURPOSE
 WITHOUT OUR APPROVAL.