

PART NUMBER

**KIS177883**

REV.

DATE

COMMENTS

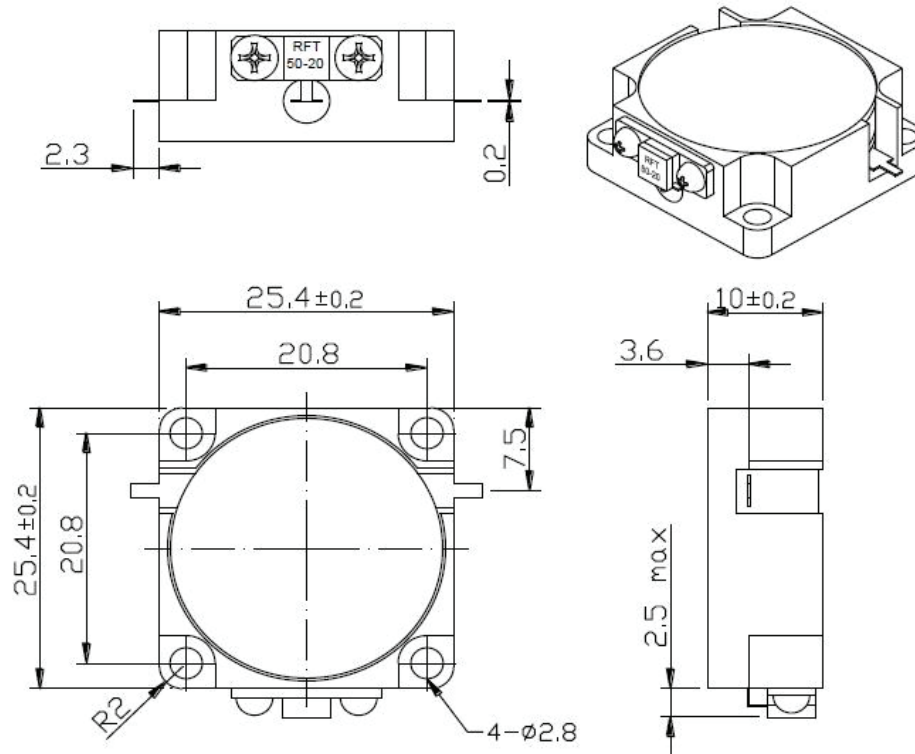
INITIAL

**Electrical Data**

Impedance	50 $\Omega$
Frequency	1,700-1,890 MHz
Isolation	20dB min.
Insertion Loss	0.4dB max.
V.S.W.R	1.25 max.
Forward Power	100 Watts CW
Reverse Power	20 Watts/ custom is available

**RoHS Compliant****Mechanical Data**

Temperature Range: -30 °C - 75 °C



Drawing not to scale. Dimensions for reference only

Units: mm

**Konnect RF**

WWW.KONNECTRF.COM  
1-800-790-5887

PART NUMBER

**KIS177883**

DESCRIPTION

**Isolator, Drop In**

CAGE CODE

**664U0**

SIGNATURE

X

THIS DRAWING INCLUDING THE  
DESIGNS IS THE PROPERTY OF  
KONNECT RF AND IS NOT TO  
BE USED FOR ANY PURPOSE  
WITHOUT OUR APPROVAL.