

PART NUMBER

KIS177882

REV.

DATE

COMMENTS

INITIAL

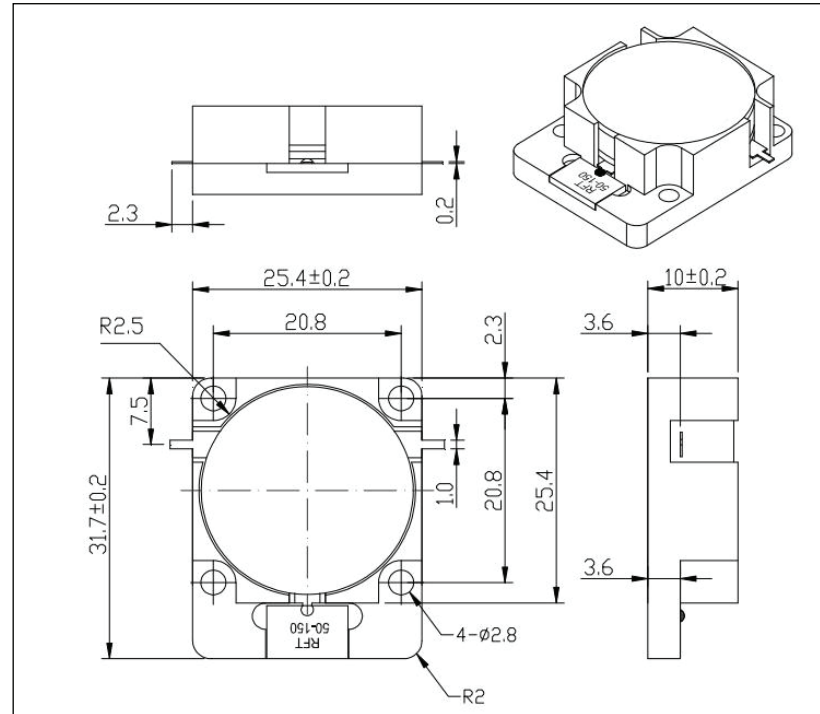
Electrical Data

Impedance	50 Ω
Frequency Range	1.5 - 1.8 GHz
Insertion Loss	≤ 0.4 dB
VSWR	≤ 1.22
Isolation	≥ 20 dB
Forward Power	200 Watts CW
Reverse Power	150 Watts
Ports	Strip Line

Mechanical Data

Temperature Range	-30 °C - 70 °C
-------------------	----------------

RoHS Compliant



Drawing not to scale. Dimensions for reference only

Units: mm

Konnect RF

WWW.KONNECTRF.COM
1-800-790-5887

PART NUMBER

KIS177882

DESCRIPTION

Isolator, Drop In

CAGE CODE

664U0

SIGNATURE

X

Component
Housing

Material
Aluminum

THIS DRAWING INCLUDING THE
DESIGNS IS THE PROPERTY OF
KONNECT RF AND IS NOT TO
BE USED FOR ANY PURPOSE
WITHOUT OUR APPROVAL.