

PART NUMBER

KIS177841

REV.

DATE

COMMENTS

INITIAL

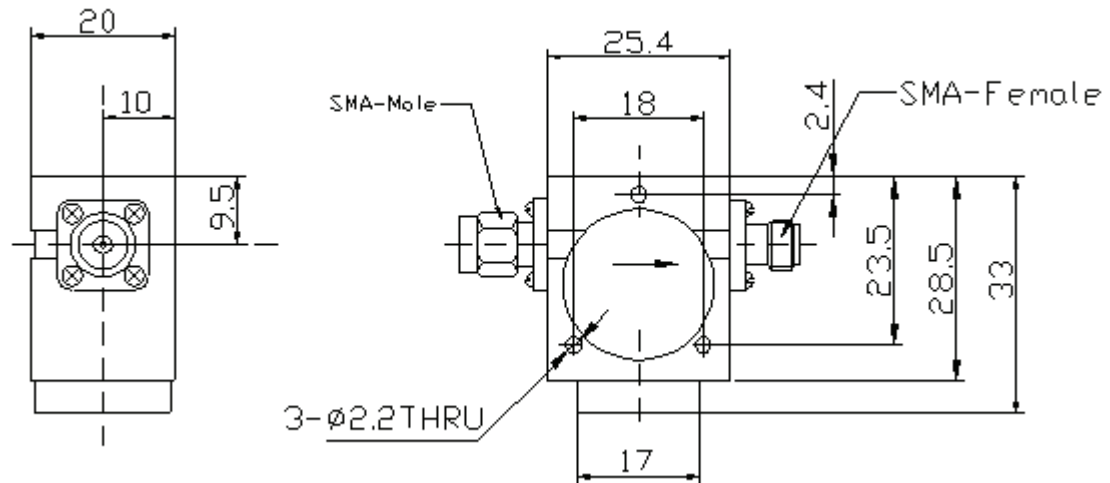
Electrical Data

Frequency Range 2.3-2.5 GHz.
 Insertion Loss 0.3 dB
 Isolation ≥ 20
 Power Rating 5W
 Reverse Power 5W
 VSWR ≤ 1.20

RoHS Compliant

Mechanical Data

Temperature Range: 0°C - 60 °C



Drawing not to scale. Dimensions for reference only

Units: inches (mm)

Konnect RF

WWW.KONNECTRF.COM
 1-800-790-5887

PART NUMBER

KIS177841

DESCRIPTION

Isolator, SMA Male to Female

CAGE CODE

664U0

SIGNATURE

X

THIS DRAWING INCLUDING THE
 DESIGNS IS THE PROPERTY OF
 KONNECT RF AND IS NOT TO
 BE USED FOR ANY PURPOSE
 WITHOUT OUR APPROVAL.