

PART NUMBER

KIS177651

REV.

DATE

COMMENTS

INITIAL

Electrical Data

Impedance	50 Ω
Frequency Range	8 - 8.5 GHz
Insertion Loss	\leq 0.50 dB Max
Isolation	40 dB
VSWR	\leq 1.40 Max
Average Power	2 Watt

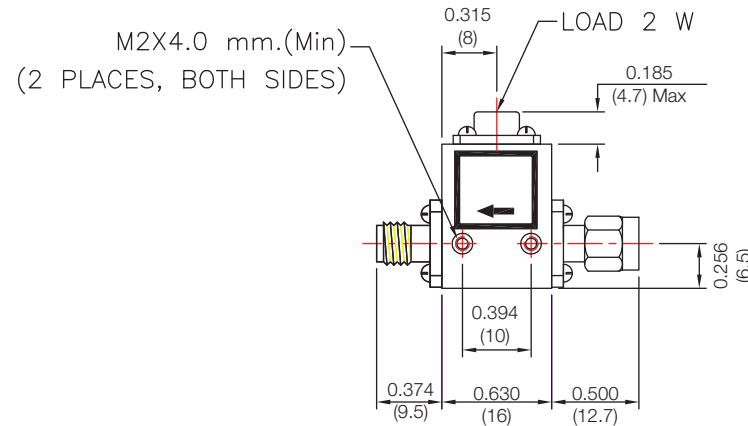
Mechanical DataOperating Temp. -0°C \pm 50 °C

Spec:

Room Temp :	+25 \pm 5°C
Isolation dB (Min.) :	45
Insertion Loss dB (Max.) :	0.40
VSWR (Max.) :	1.20

Spec: Forward Power : 2 W CW
 Reverse Power : 2 W CW
 Impedance : 50 Ohms
 Humidity : 90% @35°C

RoHS Compliant

**Drawing not to scale. Dimensions for reference only****Units: inches (mm)****Konnect RF**

WWW.KONNECTRF.COM
1-800-790-5887

PART NUMBER

KIS177651

DESCRIPTION

Isolator, SMA Male Input, SMA Female Output

CAGE CODE

664U0

SIGNATURE

X

Component
Body

Material
Aluminum

Finish
Black Painted

THIS DRAWING INCLUDING THE
 DESIGNS IS THE PROPERTY OF
 KONNECT RF AND IS NOT TO
 BE USED FOR ANY PURPOSE
 WITHOUT OUR APPROVAL.