

PART NUMBER

KIS177616

REV.

DATE

COMMENTS

INITIAL

Electrical Data

Impedance	50 Ω
Frequency Range	17.25-22.50 GHz.
Isolation	20 DB
Insertion Loss	0.60 dB
VSWR	1.25 Max

Mechanical Data

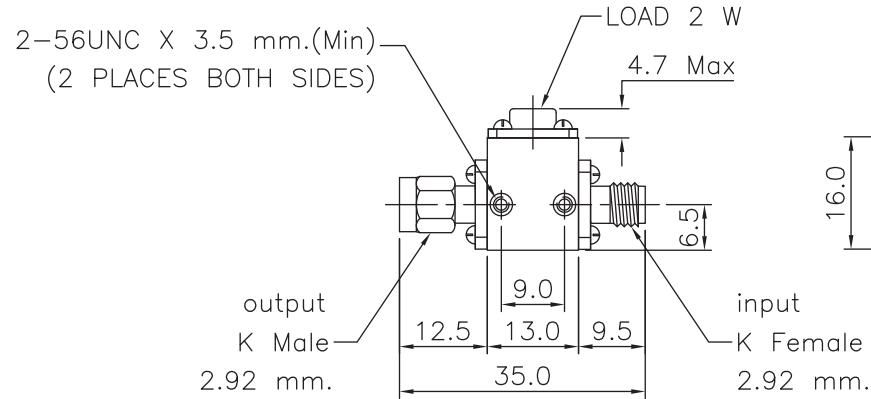
Temperature Range: -20 °C - 85 °C

Room Temp :	+25 \pm 5°C
Isolation dB (Min.) :	22
Insertion Loss dB (Max.) :	0.50
VSWR (Max.) :	1.18

Forward Power : 5 W CW

Reverse Power : 2 W CW

Thermal vacuum spec. 10-6 Mbar and states designing this unit with low outgassing materials for TVAC environment

RoHS Compliant

Drawing not to scale. Dimensions for reference only

Units: mm

Konnect RF

WWW.KONNECTRF.COM

1-800-790-5887

PART NUMBER

KIS177616

DESCRIPTION

**Isolator, 2.92mm Female Jack
Input/2.92mm Male Plug Output, TVAC**

CAGE CODE

664U0

SIGNATURE

X

Component
BodyMaterial
AluminumPlating
Nickel

THIS DRAWING INCLUDING THE
DESIGNS IS THE PROPERTY OF
KONNECT RF AND IS NOT TO
BE USED FOR ANY PURPOSE
WITHOUT OUR APPROVAL.