

PART NUMBER

**KIS177614**

REV.

DATE

COMMENTS

INITIAL

**Electrical Data**

Impedance 50  $\Omega$   
 Frequency Range 10-15 GHz.  
 Isolation 20 DB  
 Insertion Loss 0.40 dB  
 VSWR 1.25 Max

**Mechanical Data**

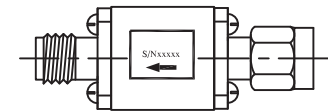
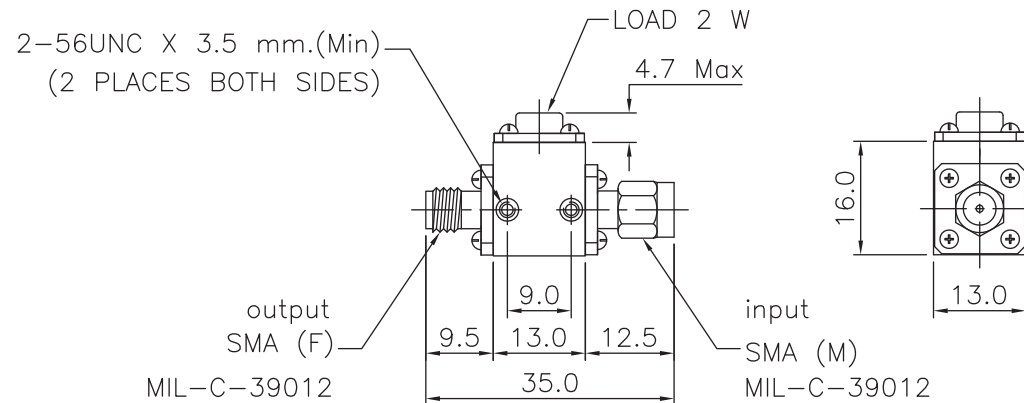
Temperature Range: -20 °C - 85 °C

Room Temp :	+25±5°C
Isolation dB ( Min. ) :	24
Insertion Loss dB ( Max. ) :	0.35
VSWR ( Max. ) :	1.15

Forward Power : 10 W CW

Reverse Power : 2 W CW

Thermal vacuum spec. 10<sup>-6</sup> Mbar and states designing this unit with low outgassing materials for TVAC environment

**RoHS Compliant**

Drawing not to scale. Dimensions for reference only

Units: mm

WWW.KONNECTRF.COM  
 1-800-790-5887

PART NUMBER

**KIS177614**

DESCRIPTION

**Isolator, SMA Male Plug Input/SMA Female Jack Output, TVAC**

CAGE CODE

**664U0**

SIGNATURE

X

**Component**  
Body

**Material**  
Aluminum

**Plating**  
Nickel

THIS DRAWING INCLUDING THE DESIGNS IS THE PROPERTY OF KONNECT RF AND IS NOT TO BE USED FOR ANY PURPOSE WITHOUT OUR APPROVAL.